

TS1-DOP, TS1-COP, TS2-DOP, TS2-COP

LOW LIMIT CONTROLS Manual and Auto Reset SPDT and DPDT

Provide low limit temperature control and/or indication in operating dampers, valves, and compressor or fan motors in HVAC systems.

- Manual and automatic reset models available.
- SPDT or DPDT (two SPDT) switching action.
- Responsive to lowest temperature sensed along any 1-foot section of 20-foot capillary element.
- Setpoint visible through front cover and adjustable from top of controller case.
- Test lever for manual operation during checkout.
- Manual reset models cannot be reset until sensed temperature is at least 5°F (3°C) above setpoint.
- Automatic reset models automatically reset when sensed temperature rises 5°F (3°C) above setpoint.



TS1-DOP/COP



TS2-DOP/COP

APPROVALS: U.L. listed; ULC listed; CE compliant.

SWITCH ACTION:

TS1-DOP/COP: SPDT.

TS2-DOP/COP: DPDT (two SPDT).

SWITCH RATING: See electrical ratings below.

MOUNTING: Surface with capillary installed in horizontal serpentine pattern. Case must not be exposed to lower temperatures than those sensed by the capillary.

SENSING ELEMENT: Vapor-filled copper capillary, tin-plated. 5/64" x 20-feet (2mm x 6096 mm).

OPERATING AMBIENT: -60°F to 160°F (-51°C to 71°C); 300 °F (149 °C) maximum on sensing element.

DIMENSIONS:

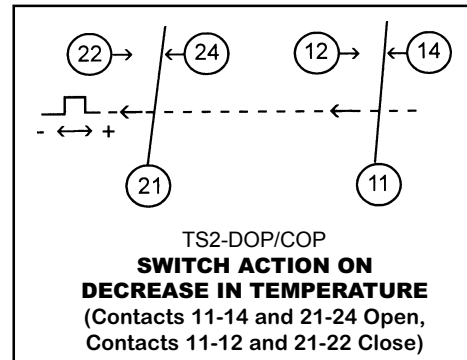
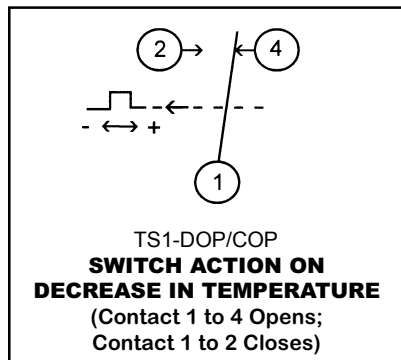
TS1-DOP/COP: 2.94"H x 3.35"W x 1.57"D (75mm x 85mm x 40mm).

TS2-DOP/COP: 3.63"H x 5.5" W x 2.63"D (92mm x 140mm x 67mm).

ACCESSORIES: FX-4520 capillary mounting clip.

ELECTRICAL RATINGS

	TS1-DOP/COP (SPDT)		TS2-DOP/COP (DPDT)	
	120 vac	240 vac	120 vac	240 vac
INDUCTIVE				
F.L.A.	24	24	14	12
L.R.A.	144	144	84	72
Horsepower	2	3	3/4	2
PILOT DUTY	720 va max @ 120 to 600 vac 144 va max @ 24 vac		720 va max @ 120 to 600 vac 144 va max @ 24 vac	



Model	Reset Action	Switch Action	Setpoint Range	Differential	Comments
TS1-DOP	manual	SPDT	35° to 68°F (2° to 20°C)	4.5°F (2.5°C), fixed	FX-4520 capillary mounting clips must be ordered separately
TS1-COP	automatic				
TS2-DOP	manual	DPDT	34° to 70°F (1° to 21°C)	4.5°F (2.5°C), fixed	five FX-4520 capillary mounting clips supplied with each control
TS2-COP	automatic				