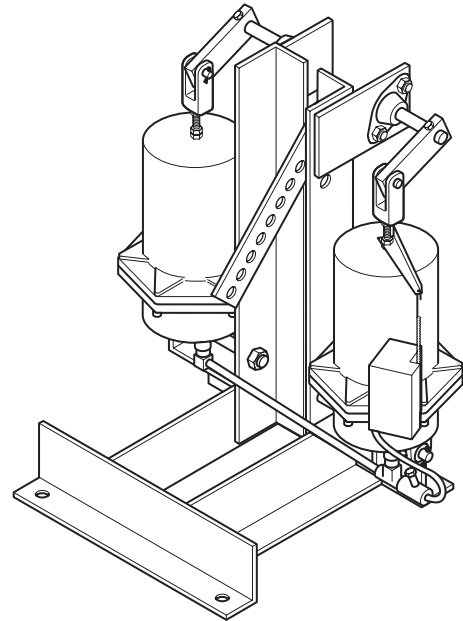


## Floor Mounted Damper Actuators

For proportional pneumatic actuator used to control inlet vanes on small and medium size fans or large jackshafted dampers.

Features:

- Dual actuators, operating a single shaft and piloted by a position, provide maximum capacity for heavy loads.
- Lever with multiple holes facilitates stroke adjustment to suit various applications.
- Rigid steel base provides firm actuator support.



MK-7921

### Model Chart

Model No.	Diaph. Area (Total) in. <sup>2</sup> (cm <sup>2</sup> )	Stroke in. (mm)										Max. Torque <sup>b</sup> Power Stroke lb-in. (N-m)	Return Stroke lb-in. (N-m)	Nominal Torque for Proportional Control <sup>a</sup> lb-in. (N-m)
		4 (102)	5 (127)	6 (152)	7 (178)	8 (203)	9 (229)	10 (254)	11 (279)	12 (305)	13 (330)			
		Lb (N) Force Available for Various Strokes <sup>b</sup>												
MK-7821 Single	20 (129)	135 (600)	108 (480)	90 (400)	77 (343)	68 (302)	60 (267)	54 (240)	49 (218)	45 (200)	42 (187)	315 (35.5)	360 (40.6)	67.5 (7.6)
MK-7921 Dual	40 (258)	270 (1201)	216 (961)	180 (801)	154 (685)	136 (605)	120 (534)	109 (465)	98 (436)	90 (400)	84 (374)	630 (71.0)	720 (81.2)	135 (15.2)

<sup>a</sup> Based on a 1.5 psig (10kPa) pressure change at the actuator.

<sup>b</sup> With 20 psig (138 kPa) main supply.

# MK-7821, MK-7921

## Specifications

### Construction

<b>Housing</b>	Die cast aluminum.
<b>Diaphragm</b>	Replaceable beaded molded neoprene.
<b>Assembly</b>	Actuator(s) and positive positioner (AK-42309-500) are factory mounted on a frame of channel and angle iron.
<b>Rotary output</b>	Provided by a driving lever arm connected to a bearing supported jackshaft.
<b>Stroke</b>	Rotary output of 60° driving lever arm connecting point adjustable from 4 to 13 in. (102 to 330 mm), in 1 in. (25.4 mm) increments, from centerline of jackshaft.
<b>Nominal Damper Area</b>	Actuator sizing should be done in accordance with damper manufacturer's specifications.
<b>Connecting linkage</b>	AM-394 adjustable 15-3/4 to 24-3/4 in. (400 to 629 mm) is included to link actuator to damper.
<b>Spring</b>	Retracts actuator shaft on loss of air pressure.
<b>Maximum air pressure</b>	30 psig (207 kPa).
<b>Ambient temperature limits</b>	
<b>Shipping</b>	-40 to 160°F (-40 to 71°C).
<b>Operating</b>	-20 to 160°F (-29 to 71°C).
<b>Air connections</b>	Barbed fitting for 1/4 in. plastic tubing.
<b>Mounting</b>	Floor.
<b>Dimensions</b>	30-1/2 H x 16 W x 20 D in. (775 x 406 x 508 mm).

## Accessories

<b>Model No.</b>	<b>Description</b>
AM-535	Clevis with 3/8 in. FNPT.
<b>Maintenance Parts</b>	
PND-90	High temperature diaphragm.
PND-202	Diaphragm.
PND-245-103	2 to 8 psig spring.
PND-245-108	8 to 13 psig spring.