

ENCLOSURES

Plastic | Metal



Made in the U.S.A.
Meets the "Buy American" provisions of Section 1605 of the American Recovery and Reinvestment Act of 2009 (ARRA).

NEMA 1 and NEMA 4 Metal & Plastic Enclosures

- All enclosures are NEMA 1 or NEMA 4 rated and are UL Listed. Smaller enclosures have an abundance of knockouts and metal enclosures are stackable vertically and horizontally. Available in a variety of sizes, these enclosures provide many useful features. Small metal enclosure sizes have screw covers and the larger sizes are equipped with key-lock latch doors, most of which are full-hinge.

ENCLOSURES

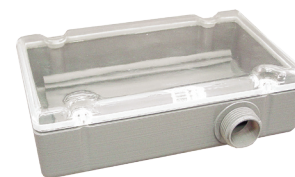
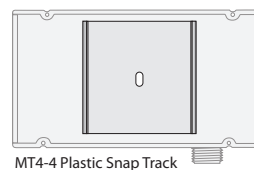
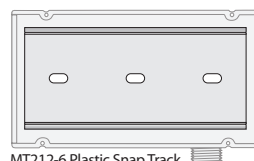
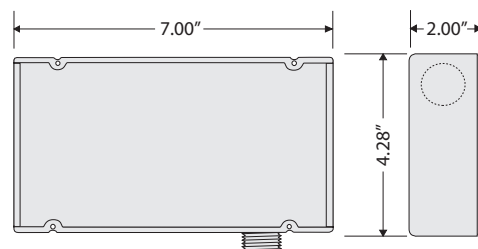
MODEL #	UL	NEMA RATING	COVER / DOOR	HEIGHT	WIDTH	DEPTH	GAUGE	NOTES	SPEC PAGE
PE6000 Series	•	NEMA 1 / NEMA 4/4X	Screw Down Cover	4.28"	7.00"	2.00"			141
MH1000 Series	•	NEMA 1	Screw Down Cover	14.50"	7.70"	3.90"	18		142
MH1200 Series	•	NEMA 1	Screw Down Cover	8.30"	7.70"	3.90"	18		142
MH2204-N4	•	NEMA 4/4X	Hinge Key Latch Door	9.84"	7.87"	3.98"	16		142
MH3100-M1	•	NEMA 1	Screw Down Cover	12.00"	12.00"	6.00"	16		143
MH3204-N4	•	NEMA 4/4X	Hinge Key Latch Door	15.75"	11.81"	5.91"	16		143
MH3300 Series	•	NEMA 1	Vertical Lift Screw Down Cover	12.50"	12.50"	7.00"	18		143
MH3500 Series	•	NEMA 1	Reversible Hook Hinge Key Latch Door	24.50"	10.25"	3.90"	18		144
MH3800 Series	•	NEMA 1	Reversible Hook Hinge Key Latch Door	24.50"	12.50"	6.50"	18		144
MH4400 Series	•	NEMA 1	Full Hinge Key Latch Door	18.00"	18.00"	7.00"	16		144
MH5500 Series	•	NEMA 1	Full Hinge Key Latch Door	25.00"	25.00"	9.50"	14		145
MH5800 Series	•	NEMA 1	Full Hinge Key Latch Door	36.00"	25.00"	9.50"	14		145

UL = UL Listed : UL916 Energy Management ; USA & Canada

ENCLOSURE

PE6000 Series

Plastic Housing, .75" NPT Nipple, 4.28" H x 7.00" W x 2.00" D



PE6000 SERIES ASSEMBLIES

Model #	Enclosure	Plastic Snap Track	NEMA Type	Weight
PE6000	PE6000		NEMA 1	.656 lbs.
PE6010	PE6000	MT4-4 (4.00"W)	NEMA 1	.717 lbs.
PE6020	PE6000	MT212-6 (2.75"W)	NEMA 1	.769 lbs.
PE6000-N4	PE6000-N4		NEMA 4/4X	.656 lbs.
PE6010-N4	PE6000-N4	MT4-4 (4.00"W)	NEMA 4/4X	.717 lbs.
PE6020-N4	PE6000-N4	MT212-6 (2.75"W)	NEMA 4/4X	.769 lbs.

SPECIFICATIONS

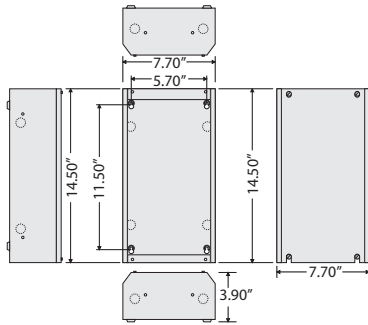
Cover Type: Screw Down Cover
Approvals: UL Listed, C-UL, CE Approved, RoHS
Housing Rating: UL Accepted for Use in Plenum, NEMA 1, Also available NEMA 4 / 4X

Notes:
 • Comes with transparent lid. To order with gray opaque lid, add "-GY" to end of model number.

ENCLOSURE

MH1000 Series

Metal Housing, NEMA 1, 14.50" H x 7.70" W x 3.90" D



MH1000 SERIES ASSEMBLIES

Model #	Enclosure	Plastic Snap Track	Weight
MH1000	MH1000		6.00 lbs.
MH1010	MH1000	MT4-12 (4.00" W)	6.30 lbs.
MH1020	MH1000	MT212-12 (2.75" W)	6.25 lbs.



SPECIFICATIONS

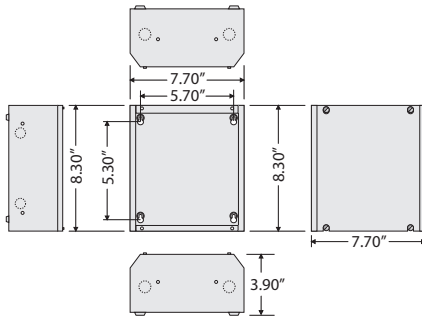
Construction: 18 Gauge Steel
Cover Type: Screw Down Cover
Approvals: UL Listed, C-UL, CE Approved, RoHS

Notes:
 • Consult factory for custom colors for large orders.

ENCLOSURE

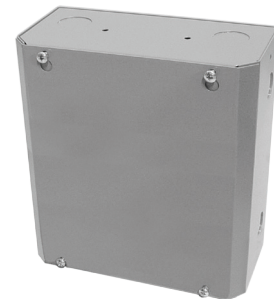
MH1200 Series

Metal Housing, NEMA 1, 8.30" H x 7.70" W x 3.90" D



MH1200 SERIES ASSEMBLIES

Model #	Enclosure	Plastic Snap Track	Weight
MH1200	MH1200		3.86 lbs.
MH1210	MH1200	MT4-8 (4.00" W)	4.06 lbs.
MH1220	MH1200	MT212-8 (2.75" W)	4.00 lbs.



SPECIFICATIONS

Construction: 18 Gauge Steel
Cover Type: Screw Down Cover
Approvals: UL Listed, C-UL, CE Approved, RoHS

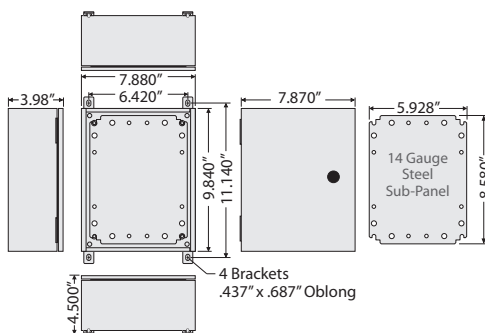
Notes:
 • Consult factory for custom colors for large orders.

ENCLOSURES

ENCLOSURE

MH2204-N4

Metal Housing, NEMA 4/4X, 9.84" H x 7.87" W x 3.98" D



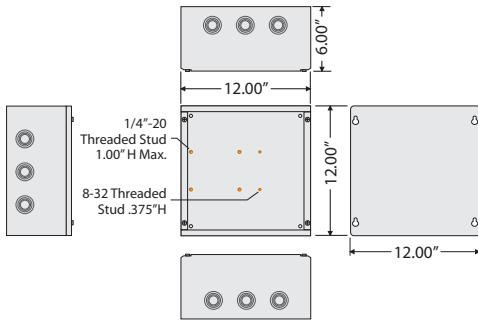
SPECIFICATIONS

Construction: 16 Gauge Steel
Weight: 7.70 lbs.
Cover Type: Hinge Key Latch Door
Approvals: UL Listed, C-UL, CE Approved, RoHS

ENCLOSURE

MH3100-M1

Metal Housing, NEMA 1, 12.00" H x 12.00" W x 6.00" D, Mounting Option 1



MH3100-M1 ASSEMBLY		
Model #	Enclosure	Plastic Snap Track
MH3100-M1 *	MH3100	6 Threaded Studs

* MH3100-M1 + PSMN500A = PSH500A
 MH3100-M1 + PSMN300A = PSH300A



SPECIFICATIONS

Construction: 16 Gauge Steel

Weight: 12 lbs.

Cover Type: Screw Down Cover

Approvals: UL Listed, C-UL, CE Approved, RoHS

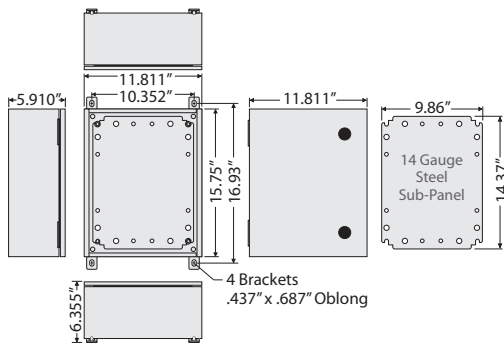
Notes:

- To convert panel-mounted power supply to enclosed, simply remove the sub-panel and mount to enclosure with provided screw pack. *

ENCLOSURE

MH3204-N4

Metal Housing, NEMA 4/4X, 15.75" H x 11.81" W x 5.91" D



SPECIFICATIONS

Construction: 16 Gauge Steel

Weight: 17 lbs.

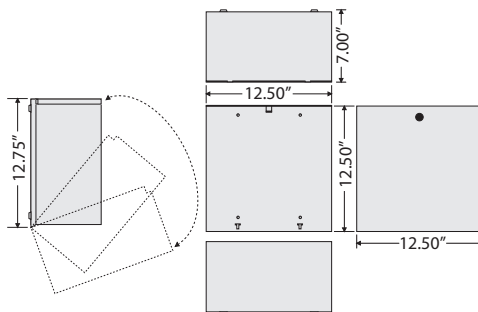
Cover Type: Hinge Key Latch Door

Approvals: UL Listed, C-UL, CE Approved, RoHS

ENCLOSURE

MH3300 Series

Metal Housing, NEMA 1, 12.50" H x 12.50" W x 7.00" D



MH3300 SERIES ASSEMBLIES				
Model #	Enclosure	Cover Type	Sub-Panel	Weight
MH3300	MH3300	Vertical Lift Screw Down		10.5 lbs.
MH3300K	MH3300K	Vertical Lift Key Latch		10.7 lbs.
MH3303	MH3300	Vertical Lift Screw Down	SP3303 ¹	11.8 lbs.
MH3304	MH3300	Vertical Lift Screw Down	SP3304 ²	11.8 lbs.
MH3303K	MH3300K	Vertical Lift Key Latch	SP3303 ¹	12.5 lbs.
MH3304K	MH3300K	Vertical Lift Key Latch	SP3304 ²	12.5 lbs.

¹ = Polymetal
 11.33" H x 11.40" W

² = Perforated Steel
 11.33" H x 11.40" W



SPECIFICATIONS

Construction: 18 Gauge Steel

Approvals: UL Listed, C-UL, CE Approved, RoHS

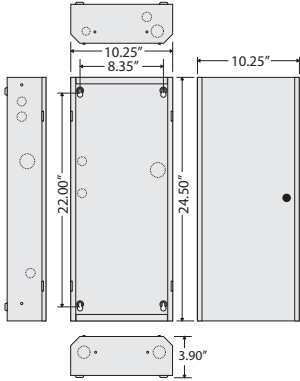
Notes:

- Consult factory for custom colors for large orders.

ENCLOSURE

MH3500 Series

Metal Housing, NEMA 1, 24.50" H x 10.25" W x 3.90" D



MH3500 SERIES ASSEMBLIES			
Model #	Enclosure	Plastic Snap Track	Weight
MH3500	MH3500		11.1 lbs.
MH3510	MH3500	MT4-24 (4.00" W)	11.7 lbs.
MH3520	MH3500	MT212-24 (2.75" W)	11.5 lbs.



SPECIFICATIONS

Construction: 18 Gauge Steel

Cover Type: Reversible Hook Hinge Key Latch Door

Approvals: UL Listed, C-UL, CE Approved, RoHS

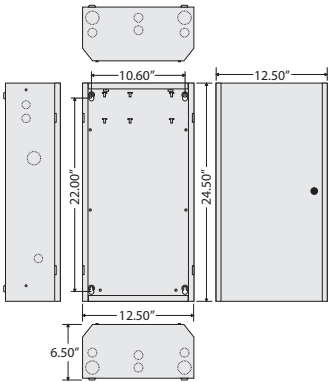
Notes:

- Consult factory for custom colors for large orders.
- Order with coin latch by adding "-L4" to end of model number.

ENCLOSURE

MH3800 Series

Metal Housing, NEMA 1, 24.50" H x 12.50" W x 6.50" D



MH3800 SERIES ASSEMBLIES			
Model #	Enclosure	Plastic Snap Track / Sub-Panel	Weight
MH3800	MH3800		16.6 lbs.
MH3810	MH3800	MT4-18 (4.00" W)	16.9 lbs.
MH3820	MH3800	MT212-18 (2.75" W)	16.8 lbs.
MH3803S	MH3800	SP3803S ¹	18.1 lbs.
MH3803L	MH3800	SP3803L ¹	18.5 lbs.
MH3804S	MH3800	SP3804S ²	19.9 lbs.
MH3804L	MH3800	SP3804L ²	20.3 lbs.

1 = Polymetal

Model S: 19.00" H x 11.75" W
Model L: 23.00" H x 11.75" W

2 = Perforated Steel

Model S: 19.00" H x 11.75" W
Model L: 23.00" H x 11.75" W



SPECIFICATIONS

Construction: 18 Gauge Steel

Cover Type: Reversible Hook Hinge Key Latch Door

Approvals: UL Listed, C-UL, CE Approved, RoHS

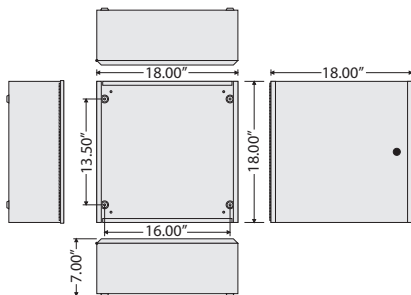
Notes:

- Consult factory for custom colors for large orders.
- Order with coin latch by adding "-L4" to end of model number.

ENCLOSURE

MH4400 Series

Metal Housing, NEMA 1, 18.00" H x 18.00" W x 7.00" D



MH4400 SERIES ASSEMBLIES			
Model #	Enclosure	Sub-Panel	Weight
MH4400	MH4400		22.5 lbs.
MH4403L	MH4400	SP4403L ¹	24.7 lbs.
MH4404L	MH4400	SP4404L ²	26.3 lbs.

1 = Polymetal

16.875" H x 15.75" W

2 = Perforated Steel

16.875" H x 15.75" W



SPECIFICATIONS

Construction: 16 Gauge Steel

Cover Type: Full Hinge Key Latch Door

Approvals: UL Listed, C-UL, CE Approved, RoHS

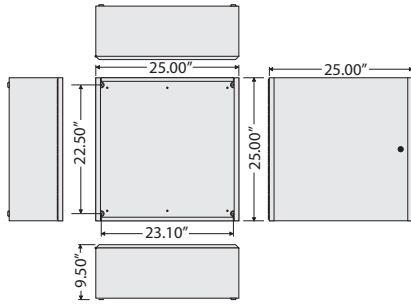
Notes:

- Consult factory for custom colors for large orders.
- Order with coin latch by adding "-L4" to end of model number.

ENCLOSURE

MH5500 Series

Metal Housing, NEMA 1, 25.00" H x 25.00" W x 9.50" D



MH5500 SERIES ASSEMBLIES			
Model #	Enclosure	Sub-Panel	Weight
MH5500	MH5500		50.7 lbs.
MH5503L	MH5500	SP5503L ¹	56.4 lbs.
MH5504L	MH5500	SP5504L ²	60.0 lbs.

¹ = Polymetal
23.00" H x 22.50" W

² = Perforated Steel
23.00" H x 22.50" W



SPECIFICATIONS

Construction: 14 Gauge Steel

Cover Type: Full Hinge Key Latch Door

Approvals: UL Listed, C-UL, CE Approved, RoHS

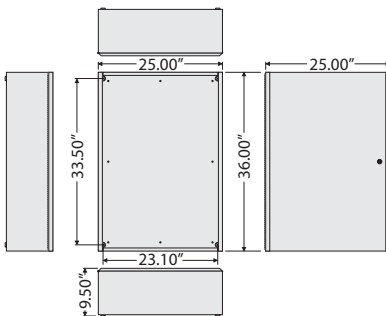
Notes:

- Consult factory for custom colors for large orders.
- Order with coin latch by adding "-L4" to end of model number.

ENCLOSURE

MH5800 Series

Metal Housing, NEMA 1, 36.00" H x 25.00" W x 9.50" D



MH5800 SERIES ASSEMBLIES			
Model #	Enclosure	Sub-Panel	Weight
MH5800	MH5800		68.5 lbs.
MH5803L	MH5800	SP5803L ¹	74.2 lbs.
MH5804L	MH5800	SP5804L ²	80.8 lbs.

¹ = Polymetal
34.125" H x 22.50" W

² = Perforated Steel
34.125" H x 22.50" W



SPECIFICATIONS

Construction: 14 Gauge Steel

Cover Type: Full Hinge Key Latch Door

Approvals: UL Listed, C-UL, CE Approved, RoHS

Notes:

- Consult factory for custom colors for large orders.
- Order with coin latch by adding "-L4" to end of model number.

ACCESSORIES

Sub-Panels | Mounting Supplies | Replacement Parts



Made in the U.S.A.
Meets the "Buy American" provisions of Section 1605 of the American Recovery and Reinvestment Act of 2009 (ARRA).

Sub-Panels

- Two types of sub-panel material are available - polymetal and perforated steel. Both the polymetal and perforated steel sub-panels are Plenum Rated and designed to mount in model "MH" metal housings and the mounting holes are pre-drilled, ready to install. Sub-panels can be ordered pre-installed in your choice of "MH" enclosures. See the general specifications for pre-assembled enclosure kit model numbers.

Replacement Parts

- Replacement parts are available for several products including remote sensors, enclosures, and more.

Mounting Supplies

- Mounting options include plastic track for snap-mounting circuit boards. One style of track can be mounted to the back surface of any cabinet and is available in 4.00" or 2.75" widths. Another style of track, AdapTrack®, snaps onto any of the three most popular DIN rails. In turn, it can accommodate a 4.00" wide circuit board.

SUB-PANELS

MODEL #	USE WITH ENCLOSURE	MATERIAL	HEIGHT	WIDTH	THICKNESS	MOUNTING AREA	WEIGHT	NOTES	SPEC PAGE
SP3303	MH3300 or MH3300K	Polymetal	11.330"	11.400"	.130"	129.16" square	.932 lbs.		148
SP3304	MH3300 or MH3300K	Perforated Steel	11.330"	11.400"	.250"	129.16" square	1.662 lbs.		148
SP3803S	MH3800	Polymetal	19.000"	11.750"	.130"	223.25" square	1.705 lbs.		148
SP3803L	MH3800	Polymetal	23.000"	11.750"	.130"	270.25" square	2.140 lbs.		149
SP3804S	MH3800	Perforated Steel	19.000"	11.750"	.250"	223.25" square	2.940 lbs.		149
SP3804L	MH3800	Perforated Steel	23.000"	11.750"	.250"	270.25" square	3.520 lbs.		149
SP4403L	MH4400	Polymetal	16.875"	15.750"	.130"	265.78" square	2.100 lbs.		150
SP4404L	MH4400	Perforated Steel	16.875"	15.750"	.250"	265.78" square	3.520 lbs.		150
SP5503L	MH5500	Polymetal	23.000"	22.500"	.130"	517.50" square	3.940 lbs.		150
SP5504L	MH5500	Perforated Steel	23.000"	22.500"	.250"	517.50" square	6.560 lbs.		151
SP5803L	MH5800	Polymetal	34.125"	22.500"	.130"	767.81" square	5.875 lbs.		151
SP5804L	MH5800	Perforated Steel	34.125"	22.500"	.250"	767.81" square	9.720 lbs.		151

MOUNTING SUPPLIES

MODEL #	DESCRIPTION	NOTES	SPEC PAGE
MT212 Series	• 2.75" wide screw mounted snap-in track for mounting relays, current sensors and power supplies		152
MT4 Series	• 4.00" wide screw mounted snap-in track for mounting relays, current sensors and power supplies		152
AT4 Series	• 4.00" wide AdapTrack® for DIN rail mounting relays, current sensors and power supplies		152
DS8062	Self-tapping 5/8" drill screws for mounting devices to all polymetal sub-panels	1	153

REPLACEMENT PARTS

MODEL #	DESCRIPTION	NOTES	SPEC PAGE
MKL Series	Locking latch assemblies for use with Functional Devices metal enclosures	1	153
KEYSET	One set of 2 keys for use with any of the key latch metal enclosures	1	153
AXK	Remote mini current sensor assembly (Wire Output)		153
AXKT	Remote mini current sensor assembly (Terminal Output)		153
AXG	Split ring remote current sensor assembly (Wire Output)		153
AXGT	Split ring remote current sensor assembly (Terminal Output)		153
AXR	Remote current sensor assembly (Wire Output)		153
TS-AN	Pluggable terminal strips for RIBAN Series		153
APS53-TC	Primary voltage terminal cover for use with 300 VA and 500 VA power supplies		153

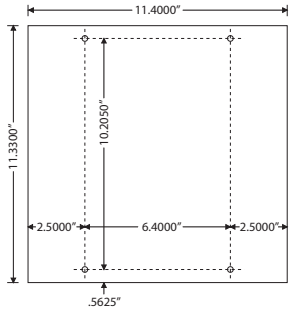
= UL Component Recognized ; USA & Canada

1 = Does not meet "Buy American" of ARRA 2009

SUB-PANEL

SP3303

Polymetal Sub-Panel, 11.330" H x 11.400" W x .130" Thick



SPECIFICATIONS

Mounting Area: 129.16" square
Weight: .932 lbs.
Approvals: Plenum Rated

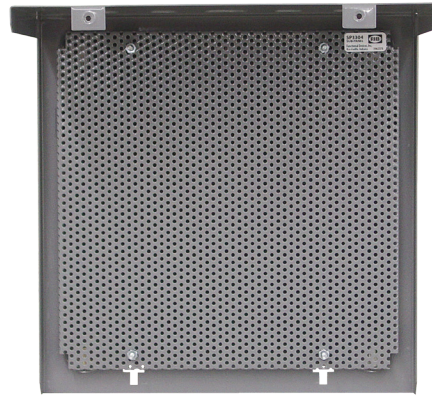
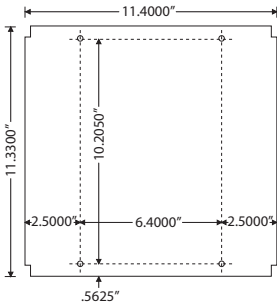
Enclosure Assemblies: MH3303
MH3300 Enclosure with SP3303
Sub-Panel pre-mounted

MH3303K
MH3300K Enclosure with SP3303
Sub-Panel pre-mounted

SUB-PANEL

SP3304

Perforated Steel Sub-Panel, 11.330" H x 11.400" W x .250" Thick



SPECIFICATIONS

Mounting Area: 129.16" square
Weight: 1.662 lbs.
Approvals: Plenum Rated

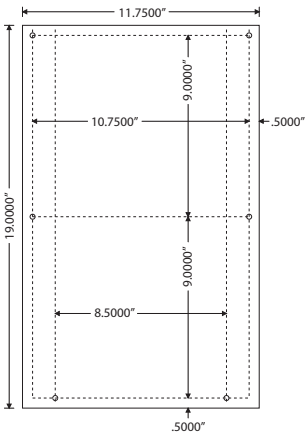
Enclosure Assemblies: MH3304
MH3300 Enclosure with SP3304
Sub-Panel pre-mounted

MH3304K
MH3300K Enclosure with SP3304
Sub-Panel pre-mounted

SUB-PANEL

SP3803S

Polymetal Sub-Panel, 19.000" H x 11.750" W x .130" Thick



SPECIFICATIONS

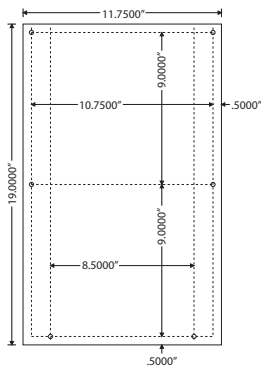
Mounting Area: 223.25" square
Weight: 1.705 lbs.
Approvals: Plenum Rated

Enclosure Assemblies: MH3803S
MH3800 Enclosure with SP3803S
Sub-Panel pre-mounted

SUB-PANEL

SP3804S

Perforated Steel Sub-Panel, 19.000" H x 11.750" W x .250" Thick



SPECIFICATIONS

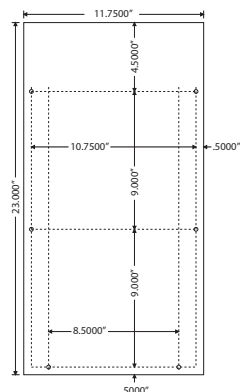
Mounting Area: 223.25" square
Weight: 2.94 lbs.
Approvals: Plenum Rated

Enclosure Assemblies: MH3804S
MH3800 Enclosure with SP3804S
Sub-Panel pre-mounted

SUB-PANEL

SP3803L

Polymetal Sub-Panel, 23.000" H x 11.750" W x .130" Thick



SPECIFICATIONS

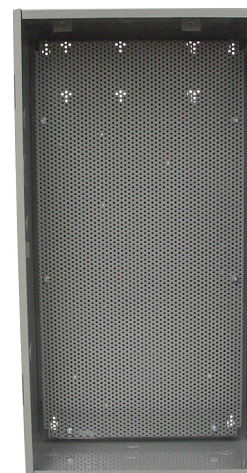
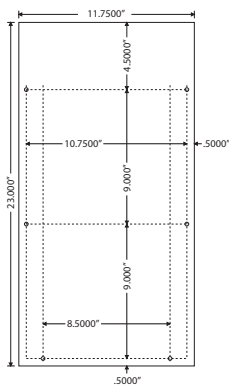
Mounting Area: 270.25" square
Weight: 2.14 lbs.
Approvals: Plenum Rated

Enclosure Assemblies: MH3803L
MH3800 Enclosure with SP3803L
Sub-Panel pre-mounted

SUB-PANEL

SP3804L

Perforated Steel Sub-Panel, 23.000" H x 11.750" W x .250" Thick



SPECIFICATIONS

Mounting Area: 270.25" square
Weight: 3.52 lbs.
Approvals: Plenum Rated

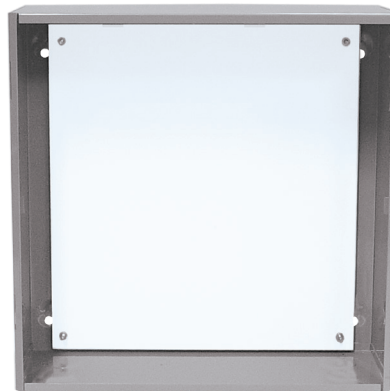
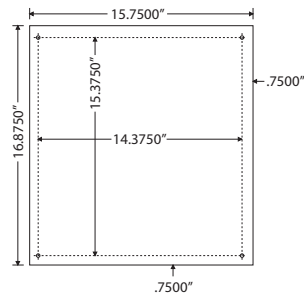
Enclosure Assemblies: MH3804L
MH3800 Enclosure with SP3804L
Sub-Panel pre-mounted

ACCESSORIES

SUB-PANEL

SP4403L

Polymetal Sub-Panel, 16.875" H x 15.750" W x .130" Thick



SPECIFICATIONS

Mounting Area: 265.78" square

Weight: 2.10 lbs.

Approvals: Plenum Rated

Enclosure Assemblies: [MH4403L](#)

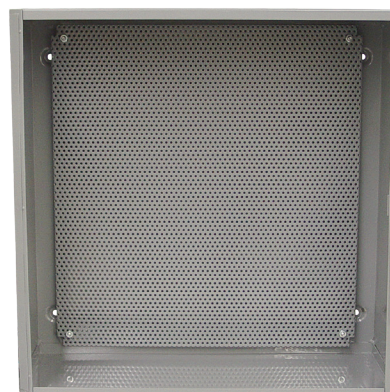
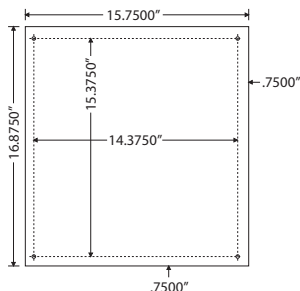
MH4400 Enclosure with SP4403L

Sub-Panel pre-mounted

SUB-PANEL

SP4404L

Perforated Steel Sub-Panel, 16.875" H x 15.750" W x .250" Thick



SPECIFICATIONS

Mounting Area: 265.78" square

Weight: 3.52 lbs.

Approvals: Plenum Rated

Enclosure Assemblies: [MH4404L](#)

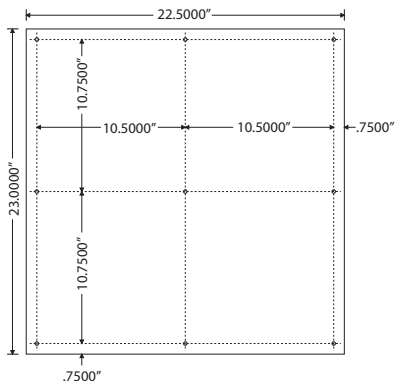
MH4400 Enclosure with SP4404L

Sub-Panel pre-mounted

SUB-PANEL

SP5503L

Polymetal Sub-Panel, 23.000" H x 22.500" W x .130" Thick



SPECIFICATIONS

Mounting Area: 517.50" square

Weight: 3.94 lbs.

Approvals: Plenum Rated

Enclosure Assemblies: [MH5503L](#)

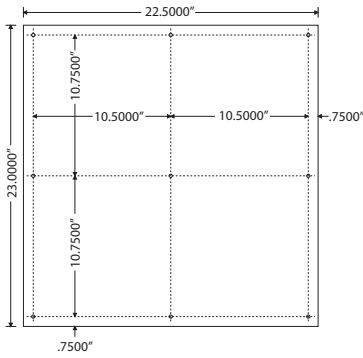
MH5500 Enclosure with SP5503L

Sub-Panel pre-mounted

SUB-PANEL

SP5504L

Perforated Steel Sub-Panel, 23.000" H x 22.500" W x .250" Thick



SPECIFICATIONS

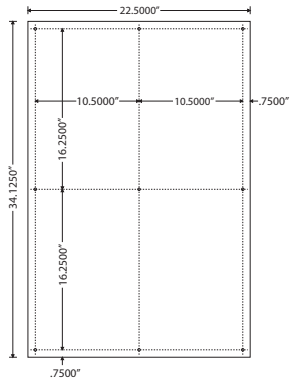
Mounting Area: 517.50" square
Weight: 6.56 lbs.
Approvals: Plenum Rated

Enclosure Assemblies: MH5504L
MH5500 Enclosure with SP5504L
Sub-Panel pre-mounted

SUB-PANEL

SP5803L

Polymetal Sub-Panel, 34.125" H x 22.500" W x .130" Thick



SPECIFICATIONS

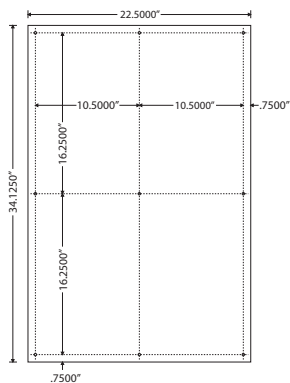
Mounting Area: 767.81" square
Weight: 5.875 lbs.
Approvals: Plenum Rated

Enclosure Assemblies: MH5803L
MH5800 Enclosure with SP5803L
Sub-Panel pre-mounted

SUB-PANEL

SP5804L

Perforated Steel Sub-Panel, 34.125" H x 22.500" W x .250" Thick



SPECIFICATIONS

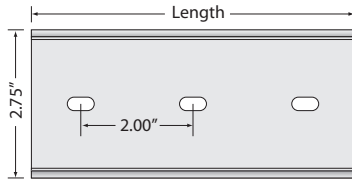
Mounting Area: 767.81" square
Weight: 9.72 lbs.
Approvals: Plenum Rated

Enclosure Assemblies: MH5804L
MH5800 Enclosure with SP5804L
Sub-Panel pre-mounted

MOUNTING TRACK

MT212 Series

2.75" Wide Mounting Track for Relays, Current Sensors, and Power Supplies



SPECIFICATIONS

Flame Rated: 94-5V

Approvals: UL Component Recognized, USA & Canada
CE Approved, RoHS

Mounting: MT212 Series track can be screw-mounted to any flat surface to provide mounting for 2.75" wide track-mountable relays, current sensors, or power supplies.

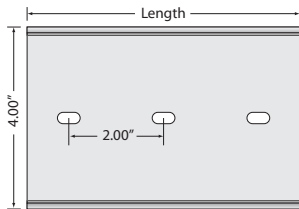
MT212 SERIES SELECTION GUIDE

Model #	Width	Length	Distance Between Hole Centers
MT212-2	2.75"	2.00"	2.00" Center to Center
MT212-4	2.75"	4.00"	2.00" Center to Center
MT212-6	2.75"	6.00"	2.00" Center to Center
MT212-8	2.75"	8.00"	2.00" Center to Center
MT212-12	2.75"	12.00"	2.00" Center to Center
MT212-18	2.75"	18.00"	2.00" Center to Center
MT212-24	2.75"	24.00"	2.00" Center to Center
MT212-48	2.75"	48.00"	2.00" Center to Center

MOUNTING TRACK

MT4 Series

4.00" Wide Mounting Track for Relays, Current Sensors, and Power Supplies



SPECIFICATIONS

Flame Rated: 94-5V

Approvals: UL Component Recognized, USA & Canada
CE Approved, RoHS

Mounting: MT4 Series track can be screw-mounted to any flat surface to provide mounting for 4.00" wide track-mountable relays, current sensors, or power supplies.

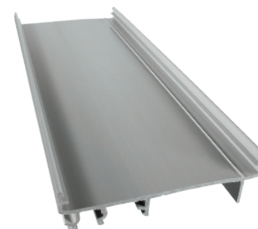
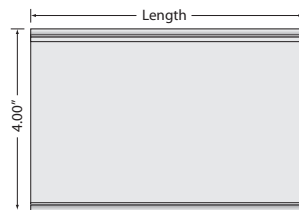
MT4 SERIES SELECTION GUIDE

Model #	Width	Length	Distance Between Hole Centers
MT4-2	4.00"	2.00"	2.00" Center to Center
MT4-4	4.00"	4.00"	2.00" Center to Center
MT4-6	4.00"	6.00"	2.00" Center to Center
MT4-8	4.00"	8.00"	2.00" Center to Center
MT4-12	4.00"	12.00"	2.00" Center to Center
MT4-18	4.00"	18.00"	2.00" Center to Center
MT4-24	4.00"	24.00"	2.00" Center to Center
MT4-48	4.00"	48.00"	2.00" Center to Center

MOUNTING TRACK

AT4 Series

4.00" Wide AdapTrack® for Relays, Current Sensors, and Power Supplies



SPECIFICATIONS

Flame Rated: 94-5V

DIN Rail Sizes: 32 mm x 15 mm asymmetrical DIN rail EN50035
35 mm x 7.5 mm symmetrical DIN rail EN50022
22.4 mm x 6.9 mm symmetrical NEMA A Series rail

Approvals: UL Component Recognized, USA & Canada
CE Approved, RoHS

Mounting: AT4 Series AdapTrack® snaps onto the three most common DIN rail sizes to provide mounting for 4.00" wide track-mountable relays, current sensors, or power supplies.

AT4 SERIES SELECTION GUIDE

Model #	Width	Length	DIN Rail Sizes
AT4-2	4.00"	2.00"	3 Most Common (see general specs to the left)
AT4-6	4.00"	6.00"	3 Most Common (see general specs to the left)
AT4-12	4.00"	12.00"	3 Most Common (see general specs to the left)
AT4-24	4.00"	24.00"	3 Most Common (see general specs to the left)
AT4-48	4.00"	48.00"	3 Most Common (see general specs to the left)

MKL Series

Lock Assemblies for use with RIB® Metal Enclosures



MKL-1
Locking key-latch assembly for use with all metal enclosures except MH3300K



MKL-2
Locking key-hook latch assembly for use with metal enclosure MH3300K



MKL-3
Metal locking key-latch assembly for use with all metal enclosures except MH3300K



MKL-4
Coin locking key-latch assembly for use with all metal enclosures except MH3300K

LOCK ASSEMBLIES

KEYSET

Set of Two Replacement Keys

KEY SET



SPECIFICATIONS

Quantity: Two keys and one ring per set
For Use With: Any of the key-lock enclosures
Advantages: Works with any Functional Devices, Inc. key-lock enclosures

DS80625

Number 8 Self-Tapping Drill Screws

SPECIFICATIONS

Size: No. 8 x 5/8"
For Use With: All polycarbonate sub-panels
Advantages: Self-tapping, eliminates mushrooming

SCREW SET



AXK

Replacement for any damaged or lost sensor. For use with models listed below *

SPECIFICATIONS

Dimensions: (Inside Diameter) .50"
(Outside) 1.86" x 1.46" x 1.50"

***Only For Use With:** RIBXLCRA, RIBXLCRF, RIBXLSRA, RIBXLSRF, RIBXRA, RIBXRF
Purpose: Can replace any damaged or lost sensor. For use with the models listed above.

REPLACEMENT



AXKT

Replacement for any damaged or lost sensor. For use with models listed below *

SPECIFICATIONS

Dimensions: (Inside Diameter) .50"
(Outside) 2.05" x 1.46" x 1.50"

***Only For Use With:** RIBXLCRA, RIBXLCRF, RIBXLSRA, RIBXLSRF, RIBXRA, RIBXRF
Purpose: Can replace any damaged or lost sensor. For use with the models listed above.

REPLACEMENT



AXG

Replacement for any damaged or lost sensor. For use with models listed below *

SPECIFICATIONS

Dimensions: (Inside) .52" x .52"
(Outside) 2.52" x 2.00" x 1.75"

***Only For Use With:** RIBXJA, RIBXJF, RIBXLCJA, RIBXLCJF, RIBXLSJA, RIBXLSJF
Purpose: Can replace any damaged or lost sensor. For use with the models listed above.

REPLACEMENT



AXGT

Replacement for any damaged or lost sensor. For use with models listed below *

SPECIFICATIONS

Dimensions: (Inside) .52" x .52"
(Outside) 2.52" x 2.00" x 1.75"

***Only For Use With:** RIBXJA, RIBXJF, RIBXLCJA, RIBXLCJF, RIBXLSJA, RIBXLSJF
Purpose: Can replace any damaged or lost sensor. For use with the models listed above.

REPLACEMENT



AXR

Replacement for any damaged or lost sensor. For use with models listed below *

SPECIFICATIONS

Dimensions: (Inside Diameter) .75"
(Outside Diameter) 2.28"

***Only For Use With:** RIBMXRA, RIBMXRF
Purpose: Can replace any damaged or lost sensor. For use with the models listed above.

REPLACEMENT



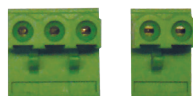
TS-AN

Replacement for any damaged or lost pluggable terminal strips for RIBAN Series. For use with models listed below *

SPECIFICATIONS

***Only For Use With:** RIBAN12C, RIBAN24C
Installation Instructions: Plug the terminal strips into the headers found on the RIBAN Series product.

REPLACEMENT



APS53-TC

Primary Voltage Terminal Cover for use with 300 VA and 500 VA Power Supplies

SPECIFICATIONS

Includes: (2) Self-Tapping Drill Screws for Installation

For Use With: PSMN300A, PSMN300A-IC, PSMN500A, PSMN500A-IC, PSH300A, PSH300A-IC, PSH500A, PSH500A-IC

TERMINAL COVER

