

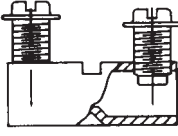
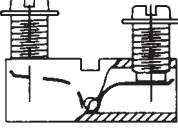
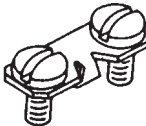
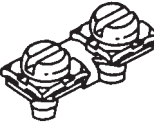
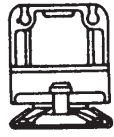
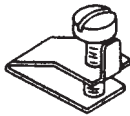

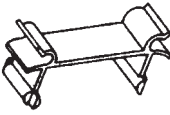


3/8" Sectional - 600 Volts 32 Circuits Per Foot



Specifications:

- Base, White Nylon 105° C
- Water Absorption 0.9% (Per ASTM D-570) (24 Hrs. % Wt. Gain)
- Tubular Screw Connector (TS) Copper, Tin Plated; Screw #10-32 Steel, Nickel Plated, Wire Range #8-#18 AWG Copper, 40 Amps
- Multiple Wire Combinations For Stranded Copper Wire Are:
 - 1 To 5 #18 AWG
 - 1 #8 AWG Or 1 #10 AWG
 - 1 To 3 #12 AWG
 - 1 To 4 #14 AWG Or #16 AWG
- Multiple Wire Combinations For Solid Copper Wire Are:
 - 1 #10 AWG
 - 1 To 3 #12 AWG
 - 1 To 4 #14 AWG Or #16 AWG
- Kant Kut Connector (TSKK) Copper, Tin Plated, Screw #10-32 Steel, Nickel Plated, Pad Steel, Wire Range #10-#22 AWG Copper, 40 Amps
- Multiple Wire Combinations For Stranded Copper Wire Are:
 - 1 #10 AWG
 - 1 To 2 #12 AWG
 - 1 To 3 #14 AWG
 - 1 To 4 #16 AWG
 - 1 To 5 #18 AWG
 - 1 To 5 #22 AWG
- Multiple Wire Combinations For Solid Copper Wire Are:
 - 1 #10 AWG
 - 1 To 2 #12 AWG
 - 1 To 2 #14 AWG
- Strap (S) Brass, Tin Plated Connector, Screw #6-32 Brass, Nickel Plated, Wire Range #14-#16 AWG (Larger Wire May Be Used With Proper Termination), 20 Amps
- Sems (SP) Brass, Tin Plated Connector, Screw #6-32 Steel, Nickel Plated, Wire Range #12-#22 AWG, 25 Amps
- UL Recognized File No. E62806
- CSA Certified File No. LR 19766
- CE

Sectional Terminal Blocks

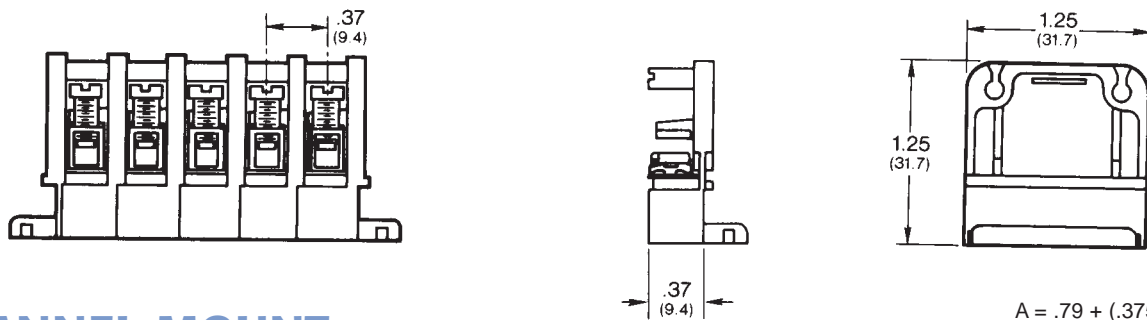
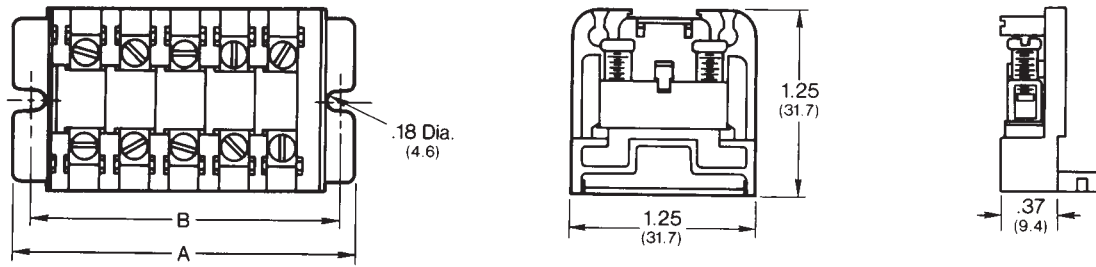
Catalog #	Description		Std. Pack Qty.
6H38-TS-F For flat mount block	Tubular Screw		100
6H38-TS-C For channel mount block			
6H38-TSKK-F For flat mount block	Kant Kut Connector		100
6H38-TSKK-C For channel mount block			
6H38-S-F For flat mount block	Screw		100
6H38-S-C For channel mount block			
6H38-SP-F For flat mount block	Sems Pressure		100
6H38-SP-C For channel mount block			
6H38-E-F For flat mount block	End Section		25
6H38-E-C For channel mount block			
MC	Mounting Clamp		25
J-38	Jumper for TS + TSKK		50
C-38	Cover		50
MPC-6 6 Foot channel	Channel		---
MPC-3 3 Foot channel			
MS	Vinyl Marking Strip 1/2" X 2' White		25

Sectional Terminal Blocks

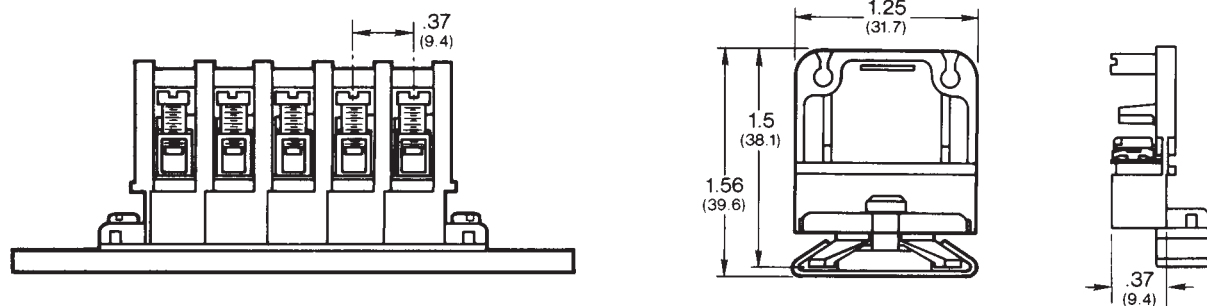
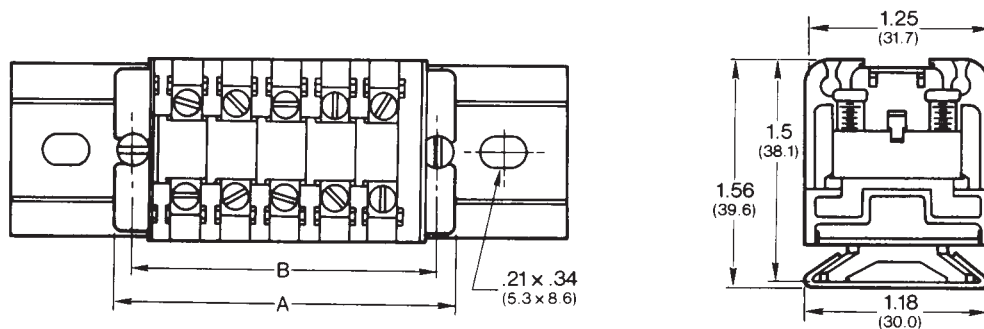
3/8" Sectional

DIMENSIONS IN [MM]

FLAT MOUNT



CHANNEL MOUNT



$$A = .79 + (.375 \times E)$$

$$B = .36 + (.375 \times E)$$

$$E = \text{No. of Poles}$$