

POWER SUPPLIES

AC | DC



Made in the U.S.A.
Meets the "Buy American" provisions of Section 1605 of the American Recovery and Reinvestment Act of 2009 (ARRA).

- Class 2
- On/off control
- Overcurrent protection
- LED power indicator
- High/low voltage separation
- 120Vac convenience outlets



Perfect for VAV Applications: PSH500A and PSH300A

- 5 or 3 isolated 100 VA outputs
- On/Off circuit breaker switch for each output
- UL Listed Class 2
- Fully enclosed – perfect for central location

AC POWER SUPPLIES

| MODEL # | UL | TRANSFORMER(S) | INPUT POWER | HEIGHT | WIDTH | DEPTH | WEIGHT | NOTES | SPEC PAGE |
|-----------------------------|-----|--------------------------------|-----------------------------------|---------|---------|--------|------------|-------|-----------|
| PSC40AB10 | • 1 | 40 VA | 120 Vac | 6.250" | 5.620" | 4.250" | 4.40 lbs. | | 108 |
| PSC100AB10 | • 1 | 100 VA | 120 Vac | 6.250" | 5.620" | 4.250" | 5.80 lbs. | | 108 |
| PSH40A Series | • 1 | 40 VA | 120 Vac | 4.500" | 5.438" | 4.500" | 3.10 lbs. | | 108 |
| PSH75A Series | • | 75 VA | Multi-Tap ² | 4.500" | 5.438" | 4.500" | 4.50 lbs. | | 109 |
| PSH100A Series | • 1 | 100 VA | 120 Vac | 4.500" | 5.438" | 4.500" | 4.60 lbs. | | 109 |
| PSH40AB10-EXT2 | • 1 | 40 VA | 120 Vac | 4.500" | 5.438" | 4.500" | 4.00 lbs. | | 110 |
| PSH100AB10-EXT2 | • 1 | 100 VA | 120 Vac | 4.500" | 5.438" | 4.500" | 4.00 lbs. | | 110 |
| PSH40A40A Series | • 1 | 40 VA, 40 VA | 120 Vac, 120 Vac | 4.500" | 8.625" | 4.500" | 5.40 lbs. | | 110 |
| PSH40A75A Series | • | 40 VA, 75 VA | 120 Vac, Multi-Tap ² | 4.500" | 8.625" | 4.500" | 6.80 lbs. | | 111 |
| PSH40A100A Series | • 1 | 40 VA, 100 VA | 120 Vac, 120 Vac | 4.500" | 8.625" | 4.500" | 6.90 lbs. | | 111 |
| PSH75A75A Series | • | 75 VA, 75 VA | Multi-Tap, Multi-Tap ² | 4.500" | 8.625" | 4.500" | 8.40 lbs. | | 112 |
| PSH75A100A Series | • | 75 VA, 100 VA | Multi-Tap ² , 120 Vac | 4.500" | 8.625" | 4.500" | 8.50 lbs. | | 112 |
| PSH100A100A Series | • 1 | 100VA, 100VA | 120 Vac, 120 Vac | 4.500" | 8.625" | 4.500" | 8.60 lbs. | | 113 |
| CTRL-PS | • 1 | 40 VA | 120 Vac | 14.500" | 7.700" | 3.900" | 7.28 lbs. | | 113 |
| MHP3903100AB10 | • | 100 VA | 120 Vac | 24.500" | 12.500" | 6.500" | 30.65 lbs. | NEW | 114 |
| MHP3903100A100AB10 | • | 100VA, 100VA | 120 Vac | 24.500" | 12.500" | 6.500" | 33.05 lbs. | NEW | 115 |
| PSH500A | • 1 | 500 VA w/ five 100 VA Outputs | 480/277/240/120 Vac | 12.125" | 12.125" | 6.000" | 30.16 lbs. | | 116 |
| PSH300A | • 1 | 300 VA w/ three 100 VA Outputs | 480/277/240/120 Vac | 12.125" | 12.125" | 6.000" | 18.08 lbs. | | 117 |
| PSH200A | • | 200 VA w/ five 40 VA Outputs | 480/347/277/240/120 Vac | 12.125" | 12.125" | 6.000" | 18.60 lbs. | | 118 |
| PSM500A | • 1 | 500 VA w/ five 100 VA Outputs | 480/277/240/120 Vac | 11.330" | 11.400" | 5.000" | 20.60 lbs. | | 116 |
| PSM300A | • 1 | 300 VA w/ three 100 VA Outputs | 480/277/240/120 Vac | 11.330" | 11.400" | 4.500" | 12.38 lbs. | | 117 |
| PSM200A | • | 200 VA w/ five 40 VA Outputs | 480/347/277/240/120 Vac | 11.330" | 11.400" | 5.000" | 8.00 lbs. | | 118 |
| PSH500A-LVC ³ | • 1 | 500 VA w/ five 100 VA Outputs | 480/277/240/120 Vac | 12.125" | 12.125" | 6.000" | 32.30 lbs. | | 119 |
| PSH300A-LVC ³ | • 1 | 300 VA w/ three 100 VA Outputs | 480/277/240/120 Vac | 11.330" | 11.400" | 4.500" | 22.46 lbs. | NEW | 120 |
| PSH200A-LVC ³ | • | 200 VA w/ five 40 VA Outputs | 480/347/277/240/120 Vac | 11.330" | 11.400" | 5.000" | 20.30 lbs. | NEW | 120 |
| PSH500AB10-LVC ³ | • 1 | 500 VA w/ five 100 VA Outputs | 480/277/240/120 Vac | 12.125" | 12.125" | 6.000" | 32.30 lbs. | NEW | 121 |
| PSH300AB10-LVC ³ | • 1 | 300 VA w/ three 100 VA Outputs | 480/277/240/120 Vac | 11.330" | 11.400" | 4.500" | 22.12 lbs. | NEW | 122 |
| PSH200AB10-LVC ³ | • | 200 VA w/ five 40 VA Outputs | 480/347/277/240/120 Vac | 11.330" | 11.400" | 5.000" | 20.30 lbs. | NEW | 123 |
| PSB40AB10 | • 1 | 40 VA | 120 Vac | 5.200" | 5.250" | 3.750" | 2.18 lbs. | | 124 |
| PSB100AB10 | • 1 | 100 VA | 120 Vac | 5.200" | 5.250" | 3.750" | 3.58 lbs. | | 124 |
| PSMN40AS | • 1 | 40 VA | 120 Vac | 3.250" | 2.750" | 2.000" | 1.60 lbs. | | 124 |
| PSMN40A | • 1 | 40 VA | 120 Vac | 3.250" | 2.750" | 2.000" | 1.60 lbs. | | 124 |

UL = Class 2 (UL Approved UL5085-3) : UL916 Energy Management USA & Canada 1 = UL508 Available 2 = 480/277/240/208/120 Vac 3 = High / Low Voltage Separation

DC POWER SUPPLIES

| MODEL # | UL | VOLTAGE INPUT | VOLTAGE OUTPUT | OUTPUT CURRENT | ON/OFF SWITCH | HEIGHT | WIDTH | DEPTH | WEIGHT | NOTES | SPEC PAGE |
|----------------|----|---------------|---------------------------------------------|----------------|---------------|--------|--------|--------|-----------|-------|-----------|
| PSP24DA | • | 24 Vac | Adjustable 1.5-28 Vdc ; Non-Isolated | 300 mA | | 2.300" | 3.200" | 1.800" | .30 lbs. | | 125 |
| PSH24DWB10 | | 120 Vac | Fixed 24 Vdc ; Isolated | 2.5 Amp | • | 4.000" | 5.438" | 4.500" | 2.98 lbs. | | 125 |
| PSH100A24DWB10 | | 120 Vac | Fixed 24 Vdc ; Isolated + 100 VA, 24 Vac | 2.5 Amp | • | 4.000" | 5.438" | 4.500" | 5.60 lbs. | | 126 |
| PSMN24DA | • | 24 Vac | Adjustable 1.5-28 Vdc ; Non-Isolated | 300 mA | • | 1.750" | 2.750" | 1.500" | .20 lbs. | | 126 |
| PSMN24DAS | • | 24 Vac | Adjustable 1.5-28 Vdc ; Non-Isolated | 300 mA | • | 1.750" | 2.750" | 1.500" | .20 lbs. | | 126 |
| PSM20A12DAS | • | 24 Vac | Adjustable 1.5-12 Vdc ; Isolated | 300 mA | • | 4.000" | 2.750" | 1.625" | 1.10 lbs. | | 127 |
| PSM24A24DAS | • | 24 Vac | Adjustable 1.5-28 Vdc ; Isolated | 300 mA | • | 4.000" | 2.750" | 1.625" | 1.10 lbs. | | 127 |
| PSM19A24DAS | • | 120 Vac | Adjustable 1.5-28 Vdc ; Isolated | 300 mA | • | 4.000" | 2.750" | 1.625" | 1.10 lbs. | | 127 |
| PSMN40A24DS | • | 120 Vac | Fixed 24 Vdc ; Isolated | 1 Amp | • | 5.000" | 2.750" | 2.000" | 1.50 lbs. | | 128 |

UL = Class 2 (UL Approved UL5085-3) : UL916 Energy Management USA & Canada

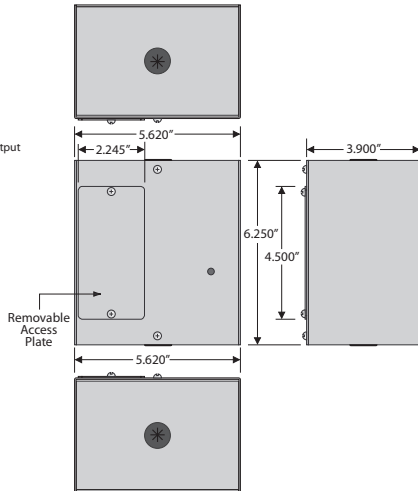
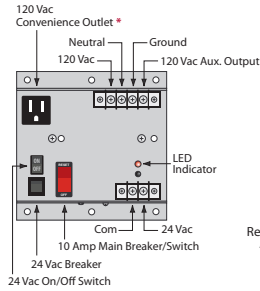
AC POWER SUPPLY

PSC40AB10

Enclosed Single 40 VA Power Supply, 120 to 24 Vac

PSC100AB10

Enclosed Single 100 VA Power Supply, 120 to 24 Vac



* Move internal jumper to "HOT" position if you wish outlets to always be hot otherwise outlets will be switched by main breaker.

Shown Without Cover



Shown With Cover



SPECIFICATIONS

Transformer: One 40 VA Split-Bobbin, Inherently Limited (PSC40AB10)
One 100 VA Split-Bobbin, Circuit Breaker (PSC100AB10)

Primary: 120 Vac

Secondary: 24 Vac, w/ LED Indicator

Frequency: 50/60 Hz

24 Vac ON/OFF: On / Off Switch & Breaker

Main Breaker ON/OFF: Switch / Breaker (10 Amp) (Kills power to entire unit: Outlets, Aux. Output, & Transformer)*
Total Combined Output 9A

Mounting: Mounting plate included (as shown)

Temperature: 40° C

Approvals: Class 2 (UL Approved UL5085-3), UL916, UL508 for -IC models, C-UL, CE, RoHS

Dimensions: 6.250" x 5.620" x 4.250"

Weight: 4.40 lbs. (PSC40AB10), 5.80 lbs. (PSC100AB10)

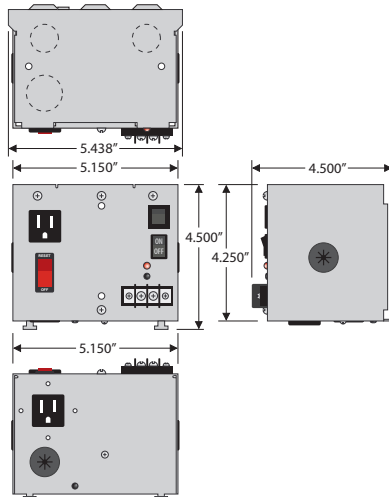
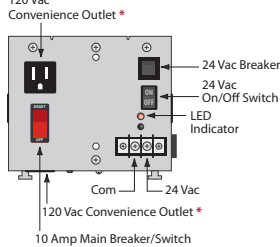
Notes:

- To order without enclosure, see PSB40AB10 & PSB100AB10.
- To order UL508, add "-IC" to end of model number.

AC POWER SUPPLY

PSH40A Series

Enclosed Single 40 VA Power Supplies, 120 to 24 Vac



* Move internal jumper to "HOT" position if you wish outlets to always be hot otherwise outlets will be switched by main breaker.



PSH40A SERIES SELECTION GUIDE

| Model # | 120 Vac Outlets | Aux Output Wire | Main Breaker on Input Power | Secondary Configuration |
|--------------|-----------------|-----------------|-----------------------------|-------------------------|
| PSH40A | - | - | - | External Terminal Strip |
| PSH40AN | - | - | - | External Terminal Strip |
| PSH40ANW | - | - | - | Internal Wires |
| PSH40AW | - | - | - | Internal Wires |
| PSH40AB10* | - | - | 10 Amp Switch / Breaker | External Terminal Strip |
| PSH40ANB10* | - | - | 10 Amp Switch / Breaker | External Terminal Strip |
| PSH40ANWB10* | - | - | 10 Amp Switch / Breaker | Internal Wires |
| PSH40AWB10* | - | - | 10 Amp Switch / Breaker | Internal Wires |

SPECIFICATIONS

Transformer: One 40 VA Split-Bobbin

Over Current Protection: Circuit Breaker

Frequency: 50/60 Hz

24 Vac ON/OFF: On / Off Switch & Breaker

Main Breaker ON/OFF: Switch / Breaker (10 Amp) (Kills power to entire unit: Outlets, Aux. Output, & Transformer)*
Total Combined Output 9A

Temperature: 40° C

Approvals: Class 2 (UL Approved UL5085-3), UL916, UL508 for -IC models, C-UL, CE, RoHS,
▲ Special Seismic Certification of Equipment and Components:
OSP-0201-10

Dimensions: 4.500" x 5.438" x 4.500"

Weight: 4.00 lbs.

Input Wires: "B10" Models Only

Input Power Wires

BLK: 120 Vac

WHT: Neutral

GRN: Ground

Outlet Wires

BLK: 120 Vac

WHT: Neutral

GRN: Ground

Output Wires: "B10" Models Only

Auxiliary Output

BLU: 120 Vac

All Other Models

Primary Wires

BLK: 120 Vac

WHT: Common

"W" Models Only

Transformer Output

WHT/YEL: 24 Vac

WHT/BLU: Common

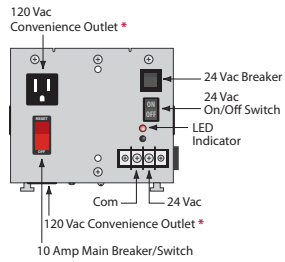
Notes:

- Output derating may exceed 20% due to elevated ambient temperature or heat buildup in device over time.
- To order UL508, add "-IC" to end of model number.
- Design is in accordance with ASCE 7-05 Chapter 13: ▲
www.oshpd.ca.gov/FDD/Pre-Approval/OSP-0201-10.pdf

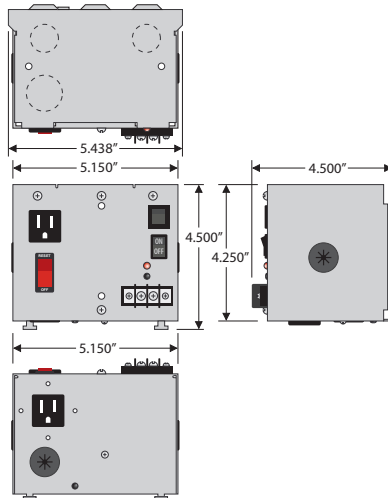
AC POWER SUPPLY

PSH75A Series

Enclosed Single 75 VA Power Supplies, 480/277/240/208/120 to 24 Vac



* Move internal jumper to "HOT" position if you wish outlets to always be hot otherwise outlets will be switched by main breaker.



PSH75A SERIES SELECTION GUIDE

| Model # | 120 Vac Outlets | Aux Output Wire | Main Breaker on Input Power | Secondary Configuration |
|--------------|-----------------|-----------------|-----------------------------|-------------------------|
| PSH75A | - | - | - | External Terminal Strip |
| PSH75AN | - | - | - | External Terminal Strip |
| PSH75ANW | - | - | - | Internal Wires |
| PSH75AW | - | - | - | Internal Wires |
| PSH75AB10* | - | - | 10 Amp Switch / Breaker | External Terminal Strip |
| PSH75ANB10* | - | - | 10 Amp Switch / Breaker | External Terminal Strip |
| PSH75ANWB10* | - | - | 10 Amp Switch / Breaker | Internal Wires |
| PSH75AWB10* | - | - | 10 Amp Switch / Breaker | Internal Wires |

SPECIFICATIONS

Transformer: One 75 VA Split-Bobbin

Over Current Protection: Circuit Breaker

Frequency: 50/60 Hz

24 Vac ON/OFF: On / Off Switch & Breaker

Main Breaker ON/OFF: Switch / Breaker (10 Amp)

(Kills power to entire unit: Outlets, Aux. Output, & Transformer)*

Total Combined Output 9A

Approvals: Class 2 (UL Approved UL5085-3), UL916, C-UL, CE, RoHS, Special A Seismic Certification of Equipment and Components: OSP-0201-10

Dimensions: 4.500" x 5.438" x 4.500"

Weight: 4.500 lbs.

Input Wires: "B10" Models Only

Input Power Wires

BLK: 120 Vac

WHT: Neutral

GRN: Ground

Outlet Wires

BLK: 120 Vac

WHT: Neutral

GRN: Ground

Output Wires: "B10" Models Only

Auxiliary Output

BLU: 120 Vac

All Other Models

Primary Wires**

GRY: 480 Vac

BRN: 277 Vac

ORG: 240 Vac

RED: 208 Vac

WHT: 120 Vac

BLK: Common

"W" Models Only

Transformer Output

WHT/YEL: 24 Vac

WHT/BLU: Common

Notes:

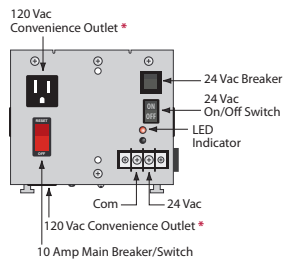
- Output derating may exceed 20% due to elevated ambient temperature or heat buildup in device over time.
- Design is in accordance with ASCE 7-05 Chapter 13: A
www.oshpd.ca.gov/FDD/Pre-Approval/OSP-0201-10.pdf
- All primary voltages other than 120 Vac will result in the disabling of convenience outlets.**

POWER SUPPLIES

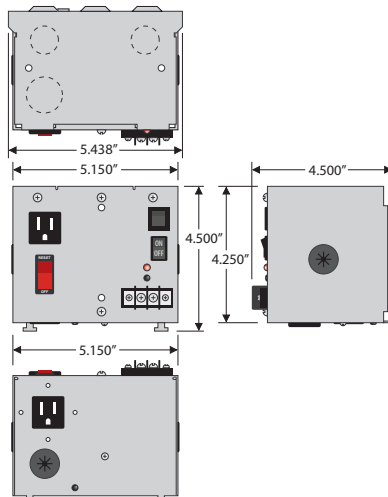
AC POWER SUPPLY

PSH100A Series

Enclosed Single 100 VA Power Supplies, 120 to 24 Vac



* Move internal jumper to "HOT" position if you wish outlets to always be hot otherwise outlets will be switched by main breaker.



PSH100A SERIES SELECTION GUIDE

| Model # | 120 Vac Outlets | Aux Output Wire | Main Breaker on Input Power | Secondary Configuration |
|---------------|-----------------|-----------------|-----------------------------|-------------------------|
| PSH100A | - | - | - | External Terminal Strip |
| PSH100AN | - | - | - | External Terminal Strip |
| PSH100ANW | - | - | - | Internal Wires |
| PSH100AW | - | - | - | Internal Wires |
| PSH100AB10* | - | - | 10 Amp Switch / Breaker | External Terminal Strip |
| PSH100ANB10* | - | - | 10 Amp Switch / Breaker | External Terminal Strip |
| PSH100ANWB10* | - | - | 10 Amp Switch / Breaker | Internal Wires |
| PSH100AWB10* | - | - | 10 Amp Switch / Breaker | Internal Wires |

SPECIFICATIONS

Transformer: One 100 VA Split-Bobbin

Over Current Protection: Circuit Breaker

Frequency: 50/60 Hz

24 Vac ON/OFF: On / Off Switch & Breaker

Main Breaker ON/OFF: Switch / Breaker (10 Amp)

(Kills power to entire unit: Outlets, Aux. Output, & Transformer)*

Total Combined Output 9A

Temperature: 40° C

Approvals: Class 2 (UL Approved UL5085-3), UL916, UL508 for -IC models, C-UL, CE, RoHS, Special A Seismic Certification of Equipment and Components: OSP-0201-10

Dimensions: 4.500" x 5.438" x 4.500"

Weight: 4.600 lbs.

Input Wires: "B10" Models Only

Input Power Wires

BLK: 120 Vac

WHT: Neutral

GRN: Ground

Outlet Wires

BLK: 120 Vac

WHT: Neutral

GRN: Ground

Output Wires: "B10" Models Only

Auxiliary Output

BLU: 120 Vac

All Other Models

Primary Wires

BLK: 120 Vac

WHT: Common

"W" Models Only

Transformer Output

WHT/YEL: 24 Vac

WHT/BLU: Common

Notes:

- Output derating may exceed 20% due to elevated ambient temperature or heat buildup in device over time.
- To order UL508, add "-IC" to end of model number.
- Design is in accordance with ASCE 7-05 Chapter 13: A
www.oshpd.ca.gov/FDD/Pre-Approval/OSP-0201-10.pdf

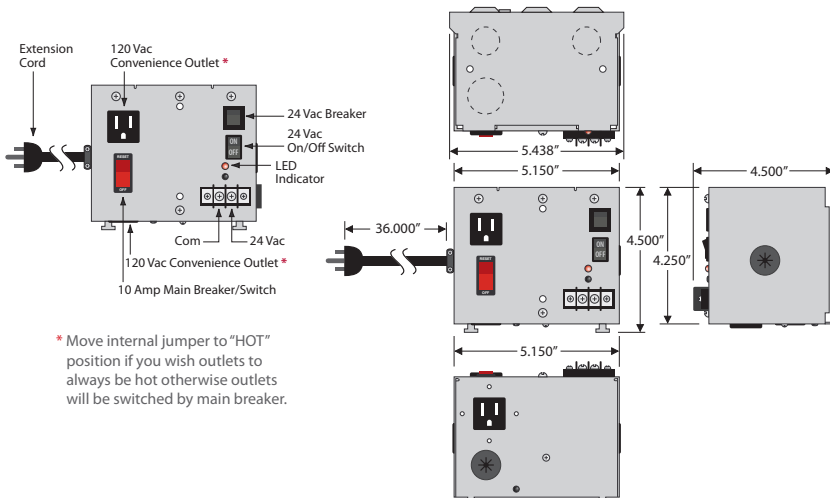
AC POWER SUPPLY

PSH40AB10-EXT2

Enclosed Single 40 VA Power Supply, 120 to 24 Vac, with Three Foot Extension Cord

PSH100AB10-EXT2

Enclosed Single 100 VA Power Supply, 120 to 24 Vac, with Three Foot Extension Cord



* Move internal jumper to "HOT" position if you wish outlets to always be hot otherwise outlets will be switched by main breaker.



PLUGS DIRECTLY INTO WIRED OUTLET BOX FOR USE ABOVE FALSE CEILINGS OR IN CONTROL PANELS

SPECIFICATIONS

Transformer: One 40 VA (PSH40AB10-EXT2) or One 100 VA (PSH100AB10-EXT2)

Over Current Protection: Circuit Breaker

Frequency: 50/60 Hz

24 Vac ON/OFF: On / Off Switch & Breaker

Main Breaker ON/OFF: Switch / Breaker (10 Amp)
(Kills power to entire unit: Outlets, Aux. Output, & Transformer)*
Total Combined Output 9A

Approvals: Class 2 (UL Approved UL5085-3), UL916, C-UL, CE, RoHS

Dimensions: 4.500" x 5.438" x 4.500"

Weight: 4.00 lbs.

Input Wires: Powercord

BLK: 120 Vac

WHT: Neutral

GRN: Ground

Output Wire: Auxiliary Load Output

BLU: 120 Vac

9 Amp, max.

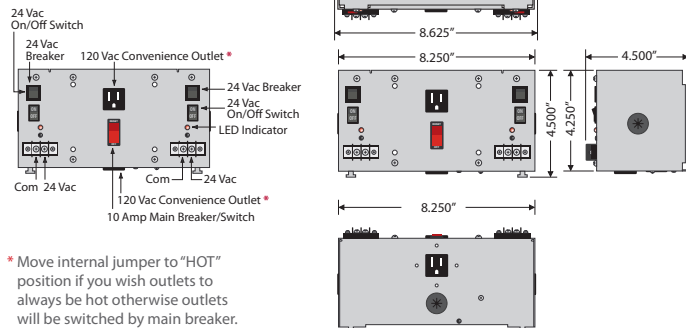
Notes:

- Output derating may exceed 20% due to elevated ambient temperature or heat buildup in device over time.

AC POWER SUPPLY

PSH40A40A Series

Enclosed Dual 40 VA Power Supplies, 120 to 24 Vac



* Move internal jumper to "HOT" position if you wish outlets to always be hot otherwise outlets will be switched by main breaker.



PSH40A40A SERIES SELECTION GUIDE

| Model # | 120 Vac Outlets | Aux Output Wire | Main Breaker on Input Power | Secondary Configuration |
|-----------------|-----------------|-----------------|-----------------------------|-------------------------|
| PSH40A40A | • | | | External Terminal Strip |
| PSH40A40AN | | | | External Terminal Strip |
| PSH40A40ANW | | | | Internal Wires |
| PSH40A40AW | • | | | Internal Wires |
| PSH40A40AB10* | • | • | 10 Amp Switch / Breaker | External Terminal Strip |
| PSH40A40ANB10* | • | • | 10 Amp Switch / Breaker | External Terminal Strip |
| PSH40A40ANWB10* | • | • | 10 Amp Switch / Breaker | Internal Wires |
| PSH40A40AWB10* | • | • | 10 Amp Switch / Breaker | Internal Wires |

SPECIFICATIONS

Transformer: Two 40 VA Split-Bobbin

Over Current Protection: Circuit Breaker

Frequency: 50/60 Hz

24 Vac ON/OFF: On / Off Switch & Breaker

Main Breaker ON/OFF: Switch / Breaker (10 Amp)
(Kills power to entire unit: Outlets, Aux. Output, & Transformer)*
Total Combined Output 9A

Temperature: 40° C

Approvals: Class 2 (UL Approved UL5085-3), UL916, UL508 for -IC models, C-UL, CE, RoHS, Special A Seismic Certification of Equipment and Components: OSP-0201-10

Dimensions: 4.500" x 8.625" x 4.500"

Weight: 5.400 lbs.

Input Wires: "B10" Models Only

Input Power Wires

BLK: 120 Vac

WHT: Neutral

GRN: Ground

Outlet Wires

BLK: 120 Vac

WHT: Neutral

GRN: Ground

Output Wires: "B10" Models Only

Auxiliary Output

BLU: 120 Vac

All Other Models

Primary Wires

BLK: 120 Vac

WHT: Common

Transformer Output

WHT/YEL: 24 Vac

WHT/BLU: Common

Notes:

- All dual models: Model number denotes location of transformer within enclosure. **PSH40A40A**

Left side | Right side

- Output derating may exceed 20% due to elevated ambient temperature or heat buildup in device over time.

- To order UL508, add "-IC" to end of model number.

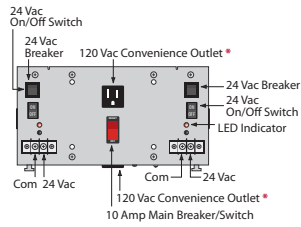
- Design is in accordance with ASCE 7-05 Chapter 13: A

www.oshpd.ca.gov/FDD/Pre-Approval/OSP-0201-10.pdf

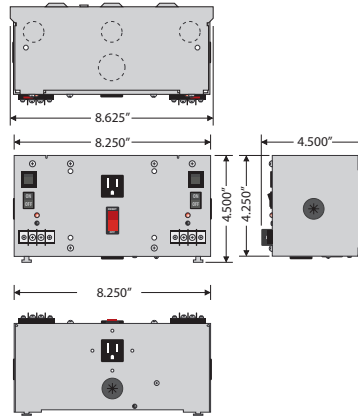
AC POWER SUPPLY

PSH40A75A Series

Enclosed 40 VA (120 to 24 Vac) and 75 VA (Multi-Tap to 24 Vac) Power Supplies



* Move internal jumper to "HOT" position if you wish outlets to always be hot otherwise outlets will be switched by main breaker.



PSH40A75A SERIES SELECTION GUIDE

| Model # | 120 Vac Outlets | Aux Output Wire | Main Breaker on Input Power | Secondary Configuration |
|-----------------|-----------------|-----------------|-----------------------------|-------------------------|
| PSH40A75A | • | | | External Terminal Strip |
| PSH40A75AN | | | | External Terminal Strip |
| PSH40A75ANW | | | | Internal Wires |
| PSH40A75AW | • | | | Internal Wires |
| PSH40A75AB10* | • | • | 10 Amp Switch / Breaker | External Terminal Strip |
| PSH40A75ANB10* | • | • | 10 Amp Switch / Breaker | External Terminal Strip |
| PSH40A75ANWB10* | • | • | 10 Amp Switch / Breaker | Internal Wires |
| PSH40A75AWB10* | • | • | 10 Amp Switch / Breaker | Internal Wires |

SPECIFICATIONS

Transformer: One 40 VA and One 75 VA Split-Bobbin

Over Current Protection: Circuit Breaker

Frequency: 50/60 Hz

24 Vac ON/OFF: On / Off Switch & Breaker

Main Breaker ON/OFF: Switch / Breaker (10 Amp)
(Kills power to entire unit: Outlets, Aux. Output, & Transformer)*

Approvals: Class 2 (UL Approved UL5085-3), UL916, C-UL, CE, RoHS, Special A Seismic Certification of Equipment and Components: OSP-0201-10

Dimensions: 4.500" x 8.625" x 4.500"

Weight: 6.800 lbs.

Input Wires: "B10" Models Only

Input Power Wires

BLK: 120 Vac

WHT: Neutral

GRN: Ground

Outlet Wires

BLK: 120 Vac

WHT: Neutral

GRN: Ground

Output Wires: "B10" Models Only

Auxiliary Output

BLU: 120 Vac

All Other Models

40 VA Primary Wires

BLK: 120 Vac

WHT: Common

75 VA Primary Wires**

GRY: 480 Vac

BRN: 277 Vac

ORG: 240 Vac

RED: 208 Vac

WHT: 120 Vac

BLK: Common

"W" Models Only

Transformer Output

WHT/YEL: 24 Vac

WHT/BLU: Common

Notes:

• All dual models: Model number denotes location of transformer within enclosure. **PSH40A75A**

Left side Right side

• Output derating may exceed 20% due to elevated ambient temperature or heat buildup in device over time.

• Design is in accordance with ASCE 7-05 Chapter 13: A

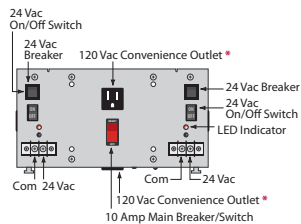
www.oshpd.ca.gov/FDD/Pre-Approval/OSP-0201-10.pdf

• All primary voltages other than 120 Vac will result in the disabling of convenience outlets.**

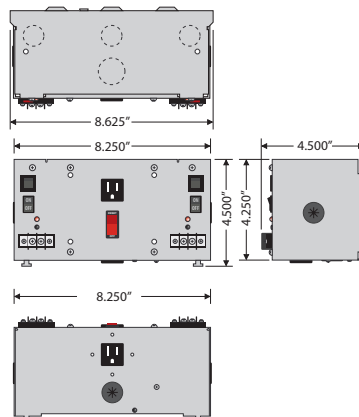
AC POWER SUPPLY

PSH40A100A Series

Enclosed 40 VA and 100 VA Power Supplies, 120 to 24 Vac



* Move internal jumper to "HOT" position if you wish outlets to always be hot otherwise outlets will be switched by main breaker.



PSH40A100A SERIES SELECTION GUIDE

| Model # | 120 Vac Outlets | Aux Output Wire | Main Breaker on Input Power | Secondary Configuration |
|------------------|-----------------|-----------------|-----------------------------|-------------------------|
| PSH40A100A | • | | | External Terminal Strip |
| PSH40A100AN | | | | External Terminal Strip |
| PSH40A100ANW | | | | Internal Wires |
| PSH40A100AW | • | | | Internal Wires |
| PSH40A100AB10* | • | • | 10 Amp Switch / Breaker | External Terminal Strip |
| PSH40A100ANB10* | • | • | 10 Amp Switch / Breaker | External Terminal Strip |
| PSH40A100ANWB10* | • | • | 10 Amp Switch / Breaker | Internal Wires |
| PSH40A100AWB10* | • | • | 10 Amp Switch / Breaker | Internal Wires |

SPECIFICATIONS

Transformer: One 40 VA and One 100 VA Split-Bobbin

Over Current Protection: Circuit Breaker

Frequency: 50/60 Hz

24 Vac ON/OFF: On / Off Switch & Breaker

Main Breaker ON/OFF: Switch / Breaker (10 Amp)
(Kills power to entire unit: Outlets, Aux. Output, & Transformer)*

Total Combined Output 9A

Temperature: 40° C

Approvals: Class 2 (UL Approved UL5085-3), UL916, UL508 for -IC models, C-UL, CE, RoHS, Special A Seismic Certification of Equipment and Components: OSP-0201-10

Dimensions: 4.500" x 8.625" x 4.500"

Weight: 6.900 lbs.

Input Wires: "B10" Models Only

Input Power Wires

BLK: 120 Vac

WHT: Neutral

GRN: Ground

Outlet Wires

BLK: 120 Vac

WHT: Neutral

GRN: Ground

Output Wires: "B10" Models Only

Auxiliary Output

BLU: 120 Vac

All Other Models

Primary Wires

BLK: 120 Vac

WHT: Common

"W" Models Only

Transformer Output

WHT/YEL: 24 Vac

WHT/BLU: Common

Notes:

• All dual models: Model number denotes location of transformer within enclosure. **PSH40A100A**

Left side Right side

• Output derating may exceed 20% due to elevated ambient temperature or heat buildup in device over time.

• To order UL508, add "-IC" to end of model number.

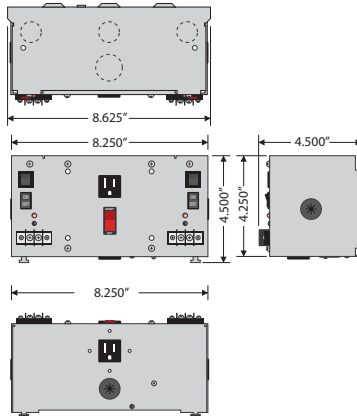
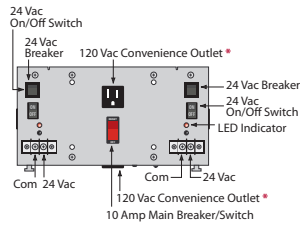
• Design is in accordance with ASCE 7-05 Chapter 13: A

www.oshpd.ca.gov/FDD/Pre-Approval/OSP-0201-10.pdf

AC POWER SUPPLY

PSH75A75A Series

Enclosed Dual 75 VA Power Supplies,
480/277/240/208/120 to 24 Vac



PSH75A75A SERIES SELECTION GUIDE

| Model # | 120 Vac Outlets | Aux Output Wire | Main Breaker on Input Power | Secondary Configuration |
|-----------------|-----------------|-----------------|-----------------------------|-------------------------|
| PSH75A75A | - | - | - | External Terminal Strip |
| PSH75A75AN | - | - | - | External Terminal Strip |
| PSH75A75ANW | - | - | - | Internal Wires |
| PSH75A75AW | - | - | - | Internal Wires |
| PSH75A75AB10* | - | - | 10 Amp Switch / Breaker | External Terminal Strip |
| PSH75A75ANB10* | - | - | 10 Amp Switch / Breaker | External Terminal Strip |
| PSH75A75ANWB10* | - | - | 10 Amp Switch / Breaker | Internal Wires |
| PSH75A75AWB10* | - | - | 10 Amp Switch / Breaker | Internal Wires |

SPECIFICATIONS

Transformer: Two 75 VA Split-Bobbin
Over Current Protection: Circuit Breaker
Frequency: 50/60 Hz
24 Vac ON/OFF: On / Off Switch & Breaker
Main Breaker ON/OFF: Switch / Breaker (10 Amp)
 (Kills power to entire unit: Outlets, Aux. Output, & Transformer)*
 Total Combined Output 9A
Approvals: Class 2 (UL Approved UL5085-3), UL916, C-UL, CE, RoHS, Special
 ▲ Seismic Certification of Equipment and Components: OSP-0201-10
Dimensions: 4.500" x 8.625" x 4.500"
Weight: 8.400 lbs.

Input Wires: "B10" Models Only
Input Power Wires
 BLK: 120 Vac
 WHT: Neutral
 GRN: Ground
Outlet Wires
 BLK: 120 Vac
 WHT: Neutral
 GRN: Ground

Output Wires: "B10" Models Only
Auxiliary Output
 BLU: 120 Vac

All Other Models Primary Wires**
 GRY: 480 Vac
 BRN: 277 Vac
 ORG: 240 Vac
 RED: 208 Vac
 WHT: 120 Vac
 BLK: Common

"W" Models Only Transformer Output
 WHT/YEL: 24 Vac
 WHT/BLU: Common

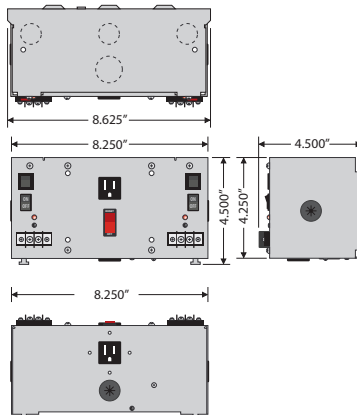
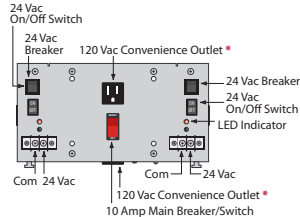
Notes:
 • All dual models: Model number denotes location of transformer within enclosure.
PSH75A75A
 | Left side | Right side
 • Output derating may exceed 20% due to elevated ambient temperature or heat buildup in device over time.
 • Design is in accordance with ASCE 7-05 Chapter 13: ▲
www.oshpd.ca.gov/FDD/Pre-Approval/OSP-0201-10.pdf
 • All primary voltages other than 120 Vac will result in the disabling of convenience outlets.**

POWER SUPPLIES

AC POWER SUPPLY

PSH75A100A Series

Enclosed 75 VA (Multi-Tap to 24 Vac) and 100 VA (120 to 24 Vac) Power Supplies



PSH75A100A SERIES SELECTION GUIDE

| Model # | 120 Vac Outlets | Aux Output Wire | Main Breaker on Input Power | Secondary Configuration |
|------------------|-----------------|-----------------|-----------------------------|-------------------------|
| PSH75A100A | - | - | - | External Terminal Strip |
| PSH75A100AN | - | - | - | External Terminal Strip |
| PSH75A100ANW | - | - | - | Internal Wires |
| PSH75A100AW | - | - | - | Internal Wires |
| PSH75A100AB10* | - | - | 10 Amp Switch / Breaker | External Terminal Strip |
| PSH75A100ANB10* | - | - | 10 Amp Switch / Breaker | External Terminal Strip |
| PSH75A100ANWB10* | - | - | 10 Amp Switch / Breaker | Internal Wires |
| PSH75A100AWB10* | - | - | 10 Amp Switch / Breaker | Internal Wires |

* Move internal jumper to "HOT" position if you wish outlets to always be hot otherwise outlets will be switched by main breaker.

SPECIFICATIONS

Transformer: One 75 VA and One 100 VA Split-Bobbin
Over Current Protection: Circuit Breaker
Frequency: 50/60 Hz
24 Vac ON/OFF: On / Off Switch & Breaker
Main Breaker ON/OFF: Switch / Breaker (10 Amp)
 (Kills power to entire unit: Outlets, Aux. Output, & Transformer)*
 Total Combined Output 9A
Approvals: Class 2 (UL Approved UL5085-3), UL916, C-UL, CE, RoHS, Special
 ▲ Seismic Certification of Equipment and Components: OSP-0201-10
Dimensions: 4.500" x 8.625" x 4.500"
Weight: 8.500 lbs.

Input Wires: "B10" Models Only
Input Power Wires
 BLK: 120 Vac
 WHT: Neutral
 GRN: Ground
Outlet Wires
 BLK: 120 Vac
 WHT: Neutral
 GRN: Ground

Output Wires: "B10" Models Only
Auxiliary Output
 BLU: 120 Vac

All Other Models 75 VA Primary Wires**
 GRY: 480 Vac
 BRN: 277 Vac
 ORG: 240 Vac
 RED: 208 Vac
 WHT: 120 Vac
 BLK: Common
100 VA Primary Wires
 BLK: 120 Vac
 WHT: Common

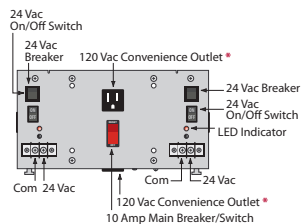
"W" Models Only Transformer Output
 WHT/YEL: 24 Vac
 WHT/BLU: Common

Notes:
 • All dual models: Model number denotes location of transformer within enclosure.
PSH75A100A
 | Left side | Right side
 • Output derating may exceed 20% due to elevated ambient temperature or heat buildup in device over time.
 • Design is in accordance with ASCE 7-05 Chapter 13: ▲
www.oshpd.ca.gov/FDD/Pre-Approval/OSP-0201-10.pdf
 • All primary voltages other than 120 Vac will result in the disabling of convenience outlets.**

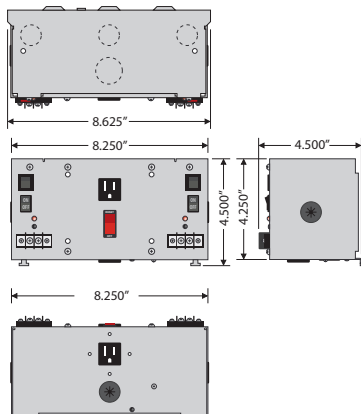
AC POWER SUPPLY

PSH100A100A Series

Enclosed Dual 100 VA Power Supplies,
120 to 24 Vac



* Move internal jumper to "HOT" position if you wish outlets to always be hot otherwise outlets will be switched by main breaker.



PSH100A100A SERIES SELECTION GUIDE

| Model # | 120 Vac Outlets | Aux Output Wire | Main Breaker on Input Power | Secondary Configuration |
|-------------------|-----------------|-----------------|-----------------------------|-------------------------|
| PSH100A100A | - | - | - | External Terminal Strip |
| PSH100A100AN | - | - | - | External Terminal Strip |
| PSH100A100ANW | - | - | - | Internal Wires |
| PSH100A100AW | - | - | - | Internal Wires |
| PSH100A100AB10* | - | - | 10 Amp Switch / Breaker | External Terminal Strip |
| PSH100A100ANB10* | - | - | 10 Amp Switch / Breaker | External Terminal Strip |
| PSH100A100ANWB10* | - | - | 10 Amp Switch / Breaker | Internal Wires |
| PSH100A100AWB10* | - | - | 10 Amp Switch / Breaker | Internal Wires |

SPECIFICATIONS

Transformer: Two 100 VA Split-Bobbin

Over Current Protection: Circuit Breaker

Frequency: 50/60 Hz

24 Vac ON/OFF: On / Off Switch & Breaker

Main Breaker ON/OFF: Switch / Breaker (10 Amp)
(Kills power to entire unit: Outlets, Aux. Output, & Transformer)*
Total Combined Output 9A

Temperature: 40° C

Approvals: Class 2 (UL Approved UL5085-3),
UL916, UL508 for -IC models, C-UL, CE,
RoHS, Special **Seismic Certification of Equipment and Components:**
OSP-0201-10

Dimensions: 4.500" x 8.625" x 4.500"

Weight: 8.600 lbs.

Input Wires: "B10" Models Only

Input Power Wires

BLK: 120 Vac

WHT: Neutral

GRN: Ground

Outlet Wires

BLK: 120 Vac

WHT: Neutral

GRN: Ground

Output Wires: "B10" Models Only

Auxiliary Output

BLU: 120 Vac

All Other Models

Primary Wires

BLK: 120 Vac

WHT: Common

"W" Models Only

Transformer Output

WHT/YEL: 24 Vac

WHT/BLU: Common

Notes:

• All dual models: Model number denotes location of transformer within enclosure.
PSH100A100A

Left side Right side

• Output derating may exceed 20% due to elevated ambient temperature or heat buildup in device over time.

• To order UL508, add "-IC" to end of model number.

• Design is in accordance with ASCE 7-05 Chapter 13: **A**

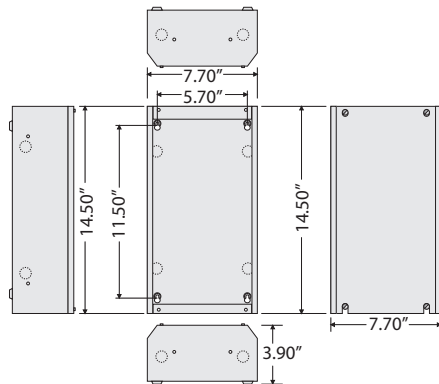
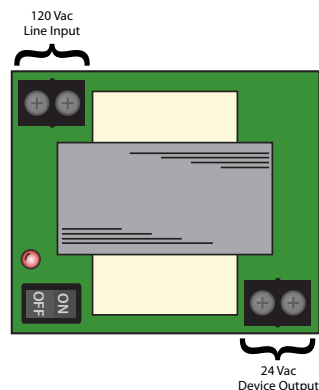
www.oshpd.ca.gov/FDD/Pre-Approval/
OSP-0201-10.pdf

POWER SUPPLIES

AC POWER SUPPLY

CTRL-PS

Kit Consisting of Model PSMN40AS and a Metal Enclosure



Shown With Cover

SPECIFICATIONS

Transformer: One 40 VA

Primary: 120 Vac

Secondary: 24 Vac, isolated

Frequency: 50/60 Hz

Overload Protection: Inherently Limited

Status: LED On = Activated

ON/OFF Switch: 2 Position

Operating Temperature: -30 to 140° F

Humidity Range: 5 to 95% (noncondensing)

Approvals: Class 2 (UL Approved UL5085-3),
UL916, C-UL, CE, RoHS (PSMN40AS)
UL916, C-UL, CE, RoHS (MH1000 Series)

Dimensions: 14.50" x 7.70" x 3.90"

Weight: 7.28 lbs.

Housing: NEMA 1 Metal Enclosure with screw cover

Notes:

• Track mounted power supply may be ordered separately as model PSMN40AS.

• 40 VA power supply mounted in MT212-4 track, high/low voltage barrier and 8.75" of 35 mm top hat DIN rail for mounting of desired controller in one metal enclosure.

• Controller must be 9.50" x 6.75" x 3.50" or smaller with DIN rail mounting capability, or 9.50" x 6.75" x 3.125" without DIN rail mounting capability.

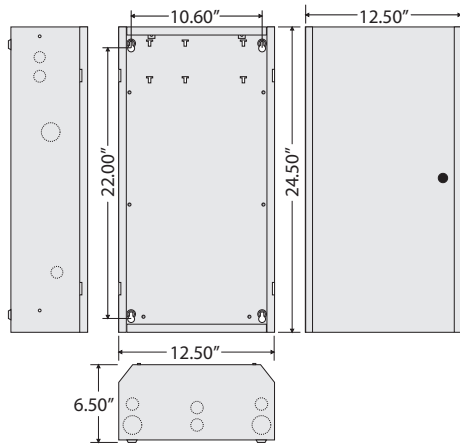
• **Controller not included.**

GREAT FOR ZONE & NETWORK CONTROLLERS

AC POWER SUPPLY

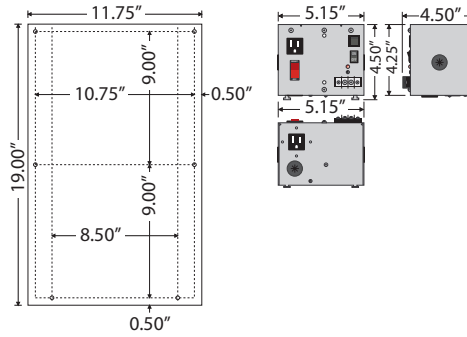
MHP3903100AB10

Enclosed Single 100 VA Power Supply with Subpanel:
Models MH3900 + SP3803S + PS100AB10



MHP3904100AB10

Enclosed Single 100 VA Power Supply with Subpanel:
Models MH3900 + SP3804S + PS100AB10



POWER SUPPLY (PS100AB10)

Transformer: One 100 VA Split-Bobbin
Over Current Protection: Circuit Breaker
Frequency: 50/60 Hz
24 Vac ON/OFF: On / Off Switch & Breaker
Main Breaker ON/OFF: Switch / Breaker (10 Amp)
 (Kills power to entire unit: Outlets, Aux. Output, & Transformer)*
Approvals: Class 2 (UL Approved UL5085-3), UL916, C-UL, CE, RoHS
Dimensions: 4.500" x 8.625" x 4.500"
Weight: 4.600 lbs.

Input Wires: Input Power Wires
 BLK: 120 Vac
 WHT: Neutral
 GRN: Ground

Outlet Wires
 BLK: 120 Vac
 WHT: Neutral
 GRN: Ground

Output Wires: Auxiliary Output
 BLU: 120 Vac

Notes:

- Output derating may exceed 20% due to elevated ambient temperature or heat buildup in device over time.
- Design is in accordance with ASCE 7-05 Chapter 13

SELECTION GUIDE

| Model # | Sub-Panel |
|----------------|------------------|
| MHP3903100AB10 | Polymetal |
| MHP3904100AB10 | Perforated Steel |

POLYMETAL SUB-PANEL (SP3803S)

Mounting Area: 223.25" square
Approvals: Plenum Rated
Dimensions: 19.00" x 11.75"
Weight: 1.705 lbs.

PERFORATED STEEL SUB-PANEL (SP3804S)

Mounting Area: 223.25" square
Approvals: Plenum Rated
Dimensions: 19.00" x 11.75"
Weight: 2.94 lbs.

METAL HOUSING (MH3900)

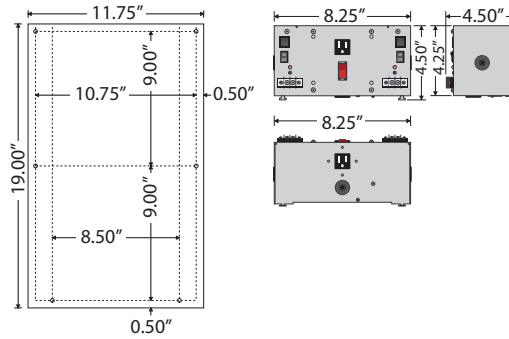
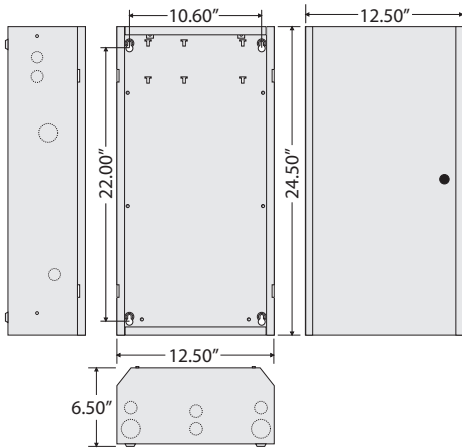
Construction: 14 Gauge Steel
Cover Type: Reversible Hook Hinge Key Latch Door
Approvals: UL Listed, C-UL, CE Approved, RoHS
Dimensions: 12.50" (W) x 24.50" (H) x 6.50" (D)
Weight: 24.30 lbs.

MHP3903100A100AB10

Enclosed Dual 100 VA Power Supplies with Subpanel:
Models MH3900 + **SP3803S** + PS100A100AB10

MHP3904100A100AB10

Enclosed Dual 100 VA Power Supplies with Subpanel:
Models MH3900 + **SP3804S** + PS100A100AB10



POWER SUPPLY (PS100A100AB10)

Transformer: Two 100 VA Split-Bobbin
Over Current Protection: Circuit Breaker
Frequency: 50/60 Hz
24 Vac ON/OFF: On / Off Switch & Breaker
Main Breaker ON/OFF: Switch / Breaker (10 Amp)
 (Kills power to entire unit: Outlets, Aux. Output, & Transformer)*
 Total Combined Output 9A
Approvals: Class 2 (UL Approved UL5085-3), UL916, C-UL, CE, RoHS
Dimensions: 4.500" x 8.625" x 4.500"
Weight: 7.000 lbs.

Input Wires: Input Power Wires
 BLK: 120 Vac
 WHT: Neutral
 GRN: Ground

Outlet Wires
 BLK: 120 Vac
 WHT: Neutral
 GRN: Ground

Output Wires: Auxiliary Output
 BLU: 120 Vac

Notes:
 • Output derating may exceed 20% due to elevated ambient temperature or heat buildup in device over time.
 • Design is in accordance with ASCE 7-05 Chapter 13

SELECTION GUIDE

| Model # | Sub-Panel |
|--------------------|------------------|
| MHP3903100A100AB10 | Polymetal |
| MHP3904100A100AB10 | Perforated Steel |

POLYMETAL SUB-PANEL (SP3803S)

Mounting Area: 223.25" square
Approvals: Plenum Rated
Dimensions: 19.00" x 11.75"
Weight: 1.705 lbs.

PERFORATED STEEL SUB-PANEL (SP3804S)

Mounting Area: 223.25" square
Approvals: Plenum Rated
Dimensions: 19.00" x 11.75"
Weight: 2.94 lbs.

METAL HOUSING (MH3900)

Construction: 14 Gauge Steel
Cover Type: Reversible Hook Hinge Key Latch Door
Approvals: UL Listed, C-UL, CE Approved, RoHS
Dimensions: 12.50" (W) x 24.50" (H) x 6.50" (D)
Weight: 24.30 lbs.

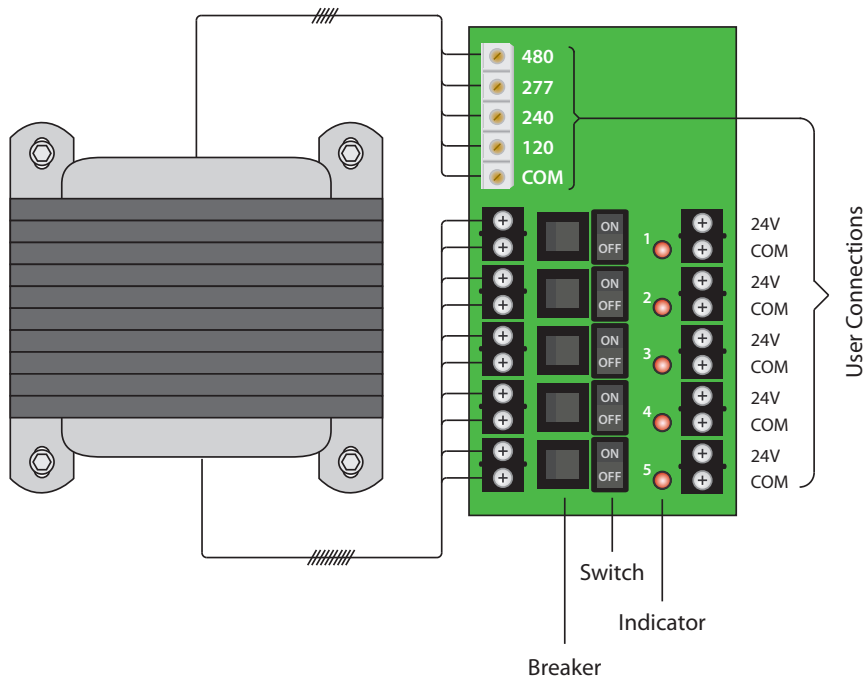
POWER SUPPLIES

PSH500A

Enclosed 500VA Power Supply with Five 100VA Class 2 Outputs, 480/277/240/120 Vac to 24 Vac

PSMN500A

Open Style 500VA Power Supply with Five 100VA Class 2 Outputs, 480/277/240/120 Vac to 24 Vac



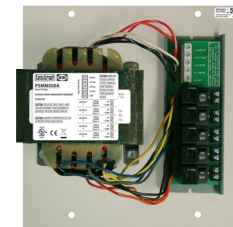
PSH500A Shown With Cover



PSH500A Shown Without Cover



PSMN500A



POWER SUPPLIES

SPECIFICATIONS

Transformer: One (1) 500 VA
Over Current Protection: Circuit Breaker
Primary: 480/277/240/120 Vac
Frequency: 50/60 Hz
Dimensions: 12.125" x 12.125" x 6.000" (PSH500A)
 11.330" x 11.400" x 5.000" (PSMN500A)
Approvals: Class 2 (UL Approved UL5085-3), UL916, UL508, C-UL, CE, RoHS, Special
 ^ Seismic Certification of Equipment and Components: OSP-0201-10
Sub-Panel: Plenum Rated Polymetal Sub-Panel (PSMN500A)
Housing: NEMA1 Metal Enclosure (PSH500A)
Weight: 30.16 lbs. (PSH500A)
 20.60 lbs. (PSMN500A)

5 Secondaries:
 24 Vac, with LED Indicators
 4 Amp breaker for each output
24 Vac ON/OFF:
 On / Off Switch & Breaker

Input:
 480/277/240/120 Vac **Finger-Safe Terminals**, 8-18 AWG

Output:
 5 Ungrounded, Isolated, 100 VA, Class 2, 24 Vac Outputs. Terminals accept 12-26 AWG wire.

Ambient Temperature Derating:
 4A up to 40° C ; 3A up to 50° C ; 2A up to 55° C
 (When All 5 Outputs Operated Simultaneously)

Notes:
 • To order UL508, add "-IC" to end of model number.
 • Open style (PSMN500A) is mounted to sub-panel SP3303 for shipping. Sub-panel may be removed to suit application.
 • Primary voltage terminal cover available. See model APS53-TC on page 141.
 • Design is in accordance with ASCE 7-05 Chapter 13: ^
www.oshpd.ca.gov/FDD/Pre-Approval/OSP-0201-10.pdf

Standby Wattage:
 48.515 W @ 120 Vac
 48.699 W @ 240 Vac
 49.564 W @ 277 Vac
 48.255 W @ 480 Vac

Full Load Primary Current:
 4.66 A @ 120 Vac
 2.41 A @ 240 Vac
 2.06 A @ 277 Vac
 1.17 A @ 480 Vac

Secondary Output Voltage vs. Load:
 24.0V @ 1 Amp
 23.0V @ 2 Amp
 21.8V @ 3 Amp
 21.1V @ 4 Amp

• With 240 Vac primary input voltage
 • When all 5 outputs operated simultaneously, at room temperature

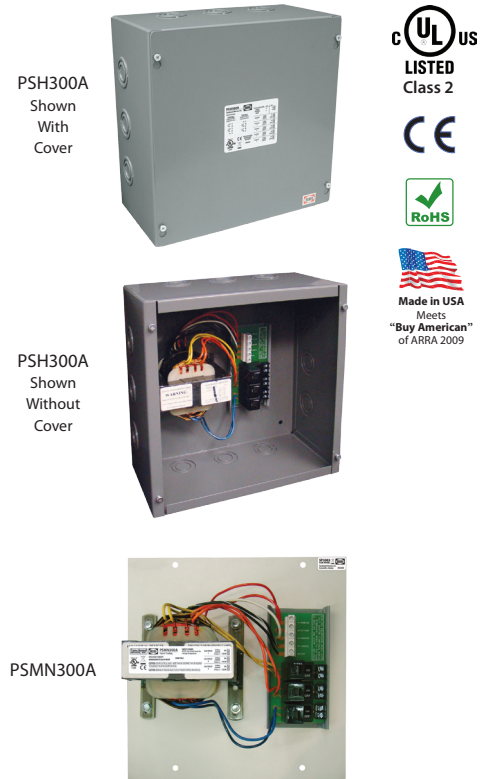
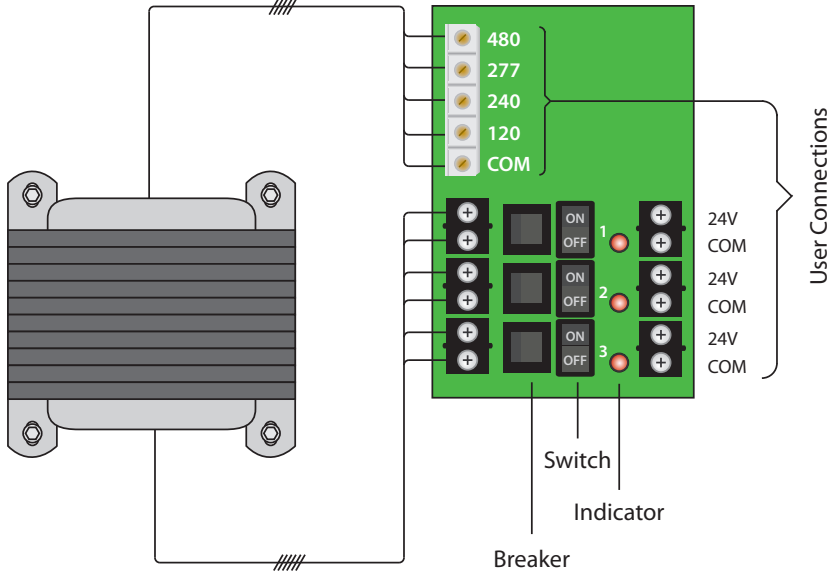
GREAT FOR VAV APPLICATIONS

PSH300A

Enclosed 300VA Power Supply with Three 100VA Class 2 Outputs, 480/277/240/120 Vac to 24 Vac

PSMN300A

Open Style 300VA Power Supply with Three 100VA Class 2 Outputs, 480/277/240/120 Vac to 24 Vac



POWER SUPPLIES

SPECIFICATIONS

Transformer: One (1) 300 VA
Over Current Protection: Circuit Breaker
Primary: 480/277/240/120 Vac
Frequency: 50/60 Hz
Dimensions: 12.125" x 12.125" x 6.000" (PSH300A)
 11.330" x 11.400" x 4.500" (PSMN300A)
Approvals: Class 2 (UL Approved UL5085-3),
 UL916, UL508, C-UL, CE, RoHS, Special
 ▲ Seismic Certification of Equipment
 and Components: OSP-0201-10
Sub-Panel: Plenum Rated Polymetal
 Sub-Panel (PSMN300A)
Housing: NEMA1 Metal Enclosure (PSH300A)
Weight: 20.00 lbs. (PSH300A)
 11.00 lbs. (PSMN300A)

3 Secondaries:
 24 Vac, with LED Indicators
 4 Amp breaker for each output
24 Vac ON/OFF:
 On / Off Switch & Breaker

Input:
 480/277/240/120 Vac **Finger-Safe Terminals**,
 8-18 AWG

Output:
 3 Ungrounded, Isolated, 100 VA, Class 2, 24 Vac
 Outputs. Terminals accept 12-26 AWG wire.

Ambient Temperature Derating:
 4A up to 40° C ; 3A up to 50° C ; 2A up to 55° C
 (When All 3 Outputs Operated Simultaneously)

- Notes:**
- To order UL508, add "-IC" to end of model number.
 - Open style (PSMN300A) is mounted to sub-panel SP3303 for shipping. Sub-panel may be removed to suit application.
 - Primary voltage terminal cover available. See model APS53-TC on page 141.
 - Design is in accordance with ASCE 7-05 Chapter 13: ▲
www.oshpd.ca.gov/FDD/Pre-Approval/OSP-0201-10.pdf

Standby Wattage:
 16.61 W @ 120 Vac
 17.70 W @ 240 Vac
 16.26 W @ 277 Vac
 19.20 W @ 480 Vac

Full Load Primary Current:
 2.66 A @ 120 Vac
 1.36 A @ 240 Vac
 1.18 A @ 277 Vac
 0.68 A @ 480 Vac

Secondary Output Voltage vs. Load:
 24.5 V @ 1 Amp
 23.5 V @ 2 Amp
 22.8 V @ 3 Amp
 22.3 V @ 4 Amp

- With 120 Vac primary input voltage
- When all 3 outputs operated simultaneously, at room temperature

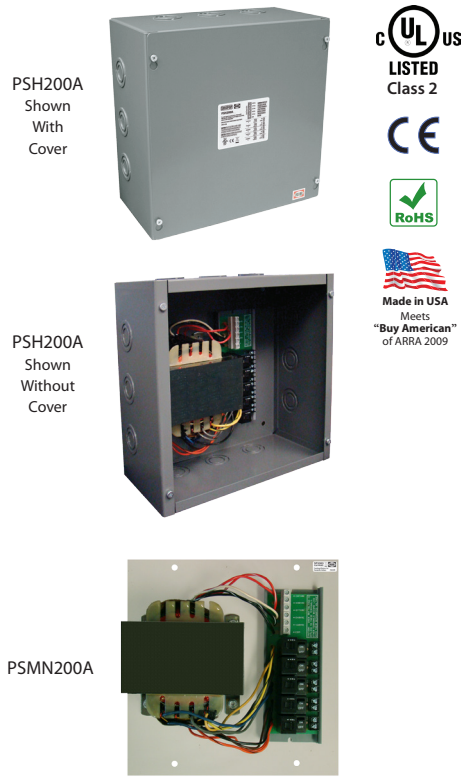
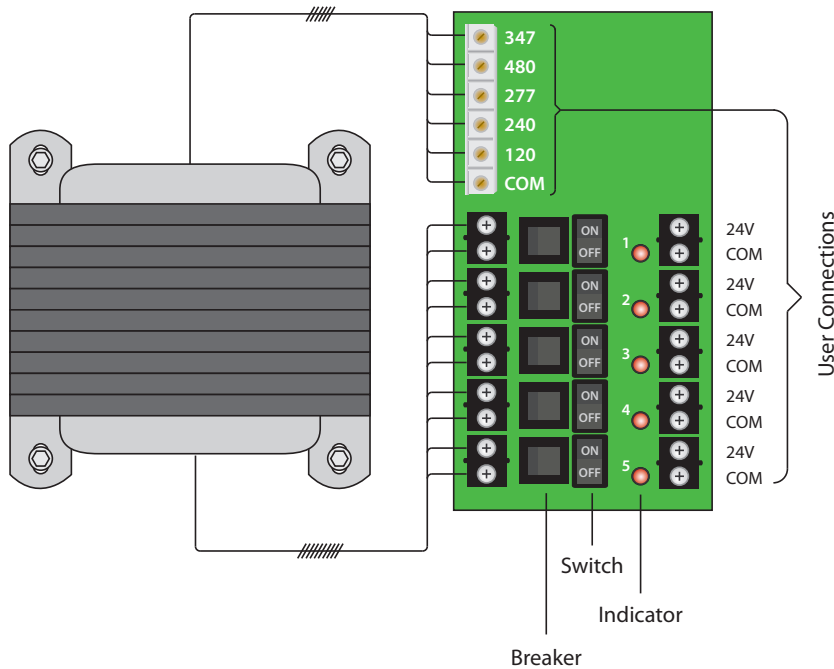
GREAT FOR VAV APPLICATIONS

PSH200A

Enclosed 200VA Power Supply with Five 40VA Class 2 Outputs, 480/347/277/240/120 Vac to 24 Vac

PSMN200A

Open Style 200VA Power Supply with Five 40VA Class 2 Outputs, 480/347/277/240/120 Vac to 24 Vac



POWER SUPPLIES

SPECIFICATIONS

Transformer: One (1) 200 VA
Over Current Protection: Circuit Breaker
Primary: 480/347/277/240/120 Vac
Frequency: 50/60 Hz
Dimensions: 12.125" x 12.125" x 6.000" (PSH200A)
 11.330" x 11.400" x 5.000" (PSMN200A)
Approvals: Class 2 (UL Approved UL5085-3), UL916, C-UL, CE, RoHS
Sub-Panel: Plenum Rated Polymetal Sub-Panel (PSMN200A)
Housing: NEMA1 Metal Enclosure (PSH200A)
Weight: 18.60 lbs. (PSH200A)
 8.00 lbs. (PSMN200A)

5 Secondaries: 24 Vac, with LED Indicators
24 Vac ON/OFF: On / Off Switch & Breaker
Input: 480/347/277/240/120 Vac **Finger-Safe Terminals**, 8-18 AWG
Output: 5 Ungrounded, Isolated, 40 VA, Class 2, 24 Vac Outputs. Terminals accept 12-26 AWG wire.

Ambient Temperature Derating: 1.6A up to 40° C ; 1.2A up to 60° C (When All 5 Outputs Operated Simultaneously)

Notes:
 • Open style (PSMN200A) is mounted to sub-panel SP3303 for shipping. Sub-panel may be removed to suit application.
 • Primary voltage terminal cover available. See model APS53-TC on page 141.

Standby Wattage:
 18.93 W @ 120 Vac
 22.08 W @ 240 Vac
 22.33 W @ 277 Vac
 23.11 W @ 347 Vac
 25.24 W @ 480 Vac

Full Load Primary Current:
 2.57 A @ 120 Vac
 1.44 A @ 240 Vac
 1.17 A @ 277 Vac
 0.95 A @ 347 Vac
 0.73 A @ 480 Vac

Secondary Output Voltage vs. Load:
 24.9V @ 0.5 Amp
 24.0V @ 1.0 Amp
 23.9V @ 1.4 Amp
 23.7V @ 1.6 Amp

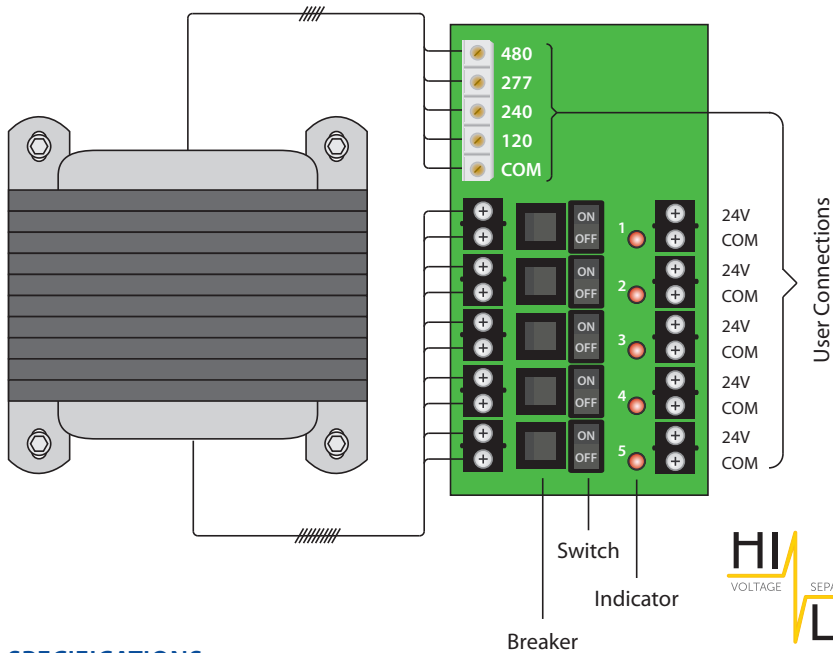
• With 120 Vac primary input voltage
 • When all 5 outputs operated simultaneously, at room temperature

347 VAC INPUT VOLTAGE PROVIDES DIRECT CONVERSION FROM MANY CANADIAN SYSTEMS TO CLASS 2 OUTPUTS

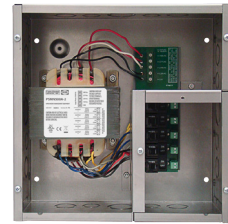
PERFECT FOR ISOLATING UP TO FIVE ZONE CONTROLLERS

PSH500A-LVC

Enclosed 500VA Power Supply, **High/Low Voltage Separation** with Five 100VA Class 2 Outputs, 480/277/240/120 Vac to 24 Vac



PSH500A-LVC
Shown Without
High Voltage Cover &
Low Voltage
Access Plate



PSH500A-LVC
Shown Without
Low Voltage
Access Plate



PSH500A-LVC
Shown With
Full Cover &
Access Plate



POWER SUPPLIES

SPECIFICATIONS

Transformer: One (1) 500 VA
Over Current Protection: Circuit Breaker
Primary: 480/277/240/120 Vac
Frequency: 50/60 Hz
Dimensions: 12.125" x 12.125" x 6.000"
Approvals: Class 2 (UL Approved UL5085-3), UL916, C-UL, CE, RoHS
Housing: NEMA1 Metal Enclosure with high/low separation
Weight: 32.30 lbs.

5 Secondaries:
 24 Vac, with LED Indicators
 4 Amp breaker for each output

24 Vac ON/OFF:
 On / Off Switch & Breaker

Input:
 480/277/240/120 Vac **Finger-Safe Terminals**, 8-18 AWG

Output:
 5 Ungrounded, Isolated, 100 VA Class 2, 24 Vac Outputs.
 Removable Terminals accept 16-22 AWG wire.

Ambient Temperature Derating:
 4A up to 40° C ; 3A up to 50° C ; 2A up to 55° C
 (When All 5 Outputs Operated Simultaneously)

Standby Wattage:
 48.515 W @ 120 Vac
 48.699 W @ 240 Vac
 49.564 W @ 277 Vac
 48.255 W @ 480 Vac

Full Load Primary Current:
 4.66 A @ 120 Vac
 2.41 A @ 240 Vac
 2.06 A @ 277 Vac
 1.17 A @ 480 Vac

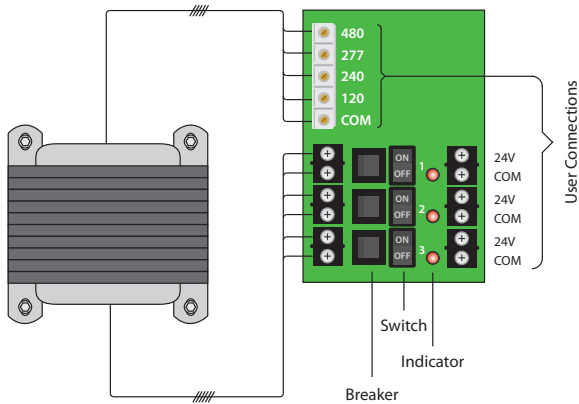
Secondary Output Voltage vs. Load:
 24.0 V @ 1 Amp
 23.0 V @ 2 Amp
 21.8 V @ 3 Amp
 21.1 V @ 4 Amp

- With 240 Vac primary input voltage
- When all 5 outputs operated simultaneously, at room temperature

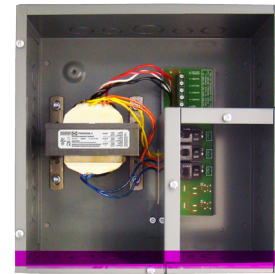
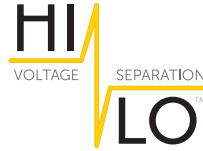
AC POWER SUPPLY

PSH300A-LVC

Enclosed 300VA Power Supply with Three 100VA Class 2 Outputs, 480/277/240/120 Vac to 24 Vac



PSH300A-LVC
Shown Without
High Voltage
Cover &
Low Voltage
Access Plate



SPECIFICATIONS

Transformer: One (1) 300 VA
Over Current Protection: Circuit Breaker
Primary: 480/277/240/120 Vac
Frequency: 50/60 Hz
Dimensions: 12.125" x 12.125" x 6.000"
Approvals: Class 2 (UL Approved UL5085-3), UL916, C-UL, CE, RoHS
Housing: NEMA1 Metal Enclosure
Weight: 22.46 lbs.

3 Secondaries:
 24 Vac, with LED Indicators
 4 Amp breaker for each output

24 Vac ON/OFF:
 On / Off Switch & Breaker

Input:
 480/277/240/120 Vac **Finger-Safe Terminals**,
 8-18 AWG

Output:
 3 Ungrounded, Isolated, 100 VA, Class 2, 24 Vac
 Outputs. Terminals accept 12-26 AWG wire.

Ambient Temperature Derating:
 4A up to 40° C ; 3A up to 50° C ; 2A up to 55° C
 (When All 3 Outputs Operated Simultaneously)

Standby Wattage:
 16.61 W @ 120 Vac
 17.70 W @ 240 Vac
 16.26 W @ 277 Vac
 19.20 W @ 480 Vac

Full Load Primary Current:
 2.66 A @ 120 Vac
 1.36 A @ 240 Vac
 1.18 A @ 277 Vac
 0.68 A @ 480 Vac

Secondary Output Voltage vs. Load:
 24.5 V @ 1 Amp
 23.5 V @ 2 Amp
 22.8 V @ 3 Amp
 22.3 V @ 4 Amp

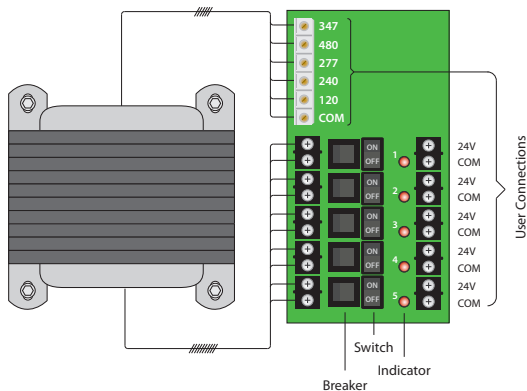
- With 120 Vac primary input voltage
- When all 3 outputs operated simultaneously, at room temperature

POWER SUPPLIES

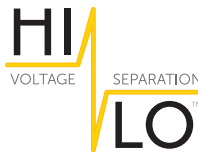
AC POWER SUPPLY

PSH200A-LVC

Enclosed 200VA Power Supply with Five 40VA Class 2 Outputs, 480/347/277/240/120 Vac to 24 Vac



PSH200A-LVC
Shown Without
High Voltage
Cover &
Low Voltage
Access Plate



SPECIFICATIONS

Transformer: One (1) 200 VA
Over Current Protection: Circuit Breaker
Primary: 480/347/277/240/120 Vac
Frequency: 50/60 Hz
Dimensions: 12.125" x 12.125" x 6.000"
Approvals: Class 2 (UL Approved UL5085-3), UL916, C-UL, CE, RoHS
Housing: NEMA1 Metal Enclosure
Weight: 20.30 lbs.

5 Secondaries:
 24 Vac, with LED Indicators

24 Vac ON/OFF:
 On / Off Switch & Breaker

Input:
 480/347/277/240/120 Vac **Finger-Safe Terminals**,
 8-18 AWG

Output:
 5 Ungrounded, Isolated, 40 VA, Class 2, 24 Vac
 Outputs. Terminals accept 12-26 AWG wire.

Ambient Temperature Derating:
 1.6A up to 40° C ; 1.2A up to 60° C
 (When All 5 Outputs Operated Simultaneously)

Standby Wattage:
 18.93 W @ 120 Vac
 22.08 W @ 240 Vac
 22.33 W @ 277 Vac
 23.11 W @ 347 Vac
 25.24 W @ 480 Vac

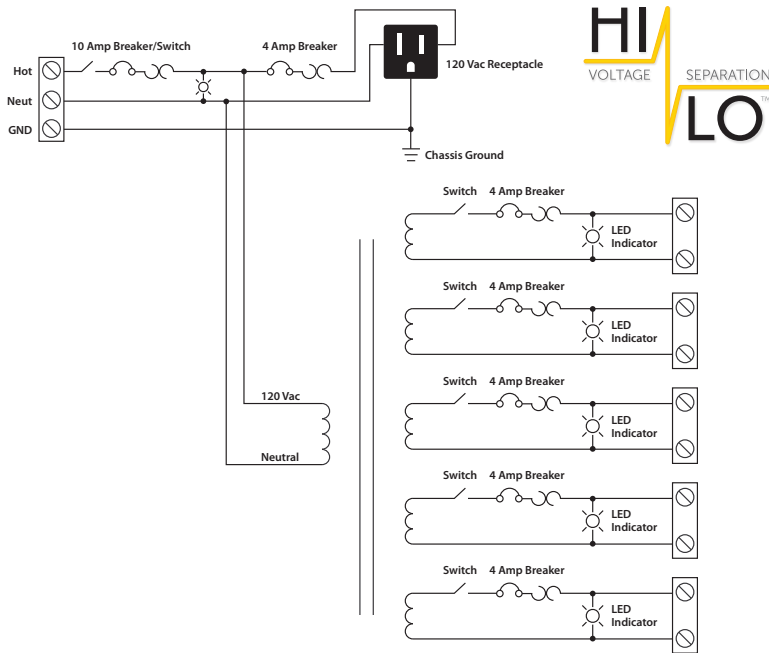
Full Load Primary Current:
 2.57 A @ 120 Vac
 1.44 A @ 240 Vac
 1.17 A @ 277 Vac
 0.95 A @ 347 Vac
 0.73 A @ 480 Vac

Secondary Output Voltage vs. Load:
 24.9 V @ 0.5 Amp
 24.0 V @ 1.0 Amp
 23.9 V @ 1.4 Amp
 23.7 V @ 1.6 Amp

- With 120 Vac primary input voltage
- When all 5 outputs operated simultaneously, at room temperature

PSH500AB10-LVC

Enclosed 500VA Power Supply, **High/Low Voltage Separation** with Five 100VA Class 2 Outputs, 120 Vac to 24 Vac with 120 Vac Receptacle



PSH500AB10-LVC
Shown With High Voltage
Cover & Low Voltage
Access Plate

POWER
SUPPLIES

SPECIFICATIONS

Transformer: One (1) 500 VA
Over Current Protection: Circuit Breaker
Primary: 120 Vac
Frequency: 50/60 Hz
Main Breaker ON/OFF: Switch / Breaker (10 Amp)
 (Kills power to entire unit:
 1 Outlet & Transformer)
Approvals: Class 2 (UL Approved UL5085-3),
 UL916, C-UL, CE, RoHS
Dimensions: 12.125" x 12.125" x 6.000"
Housing: NEMA1 Metal Enclosure with
 high/low separation
Weight: 32.30 lbs.

5 Secondaries:
 24 Vac, with LED Indicators
 4 Amp breaker for each output
24 Vac ON/OFF:
 On / Off Switch & Breaker
Input:
 120 Vac **Finger-Safe Terminals**, 8-18 AWG

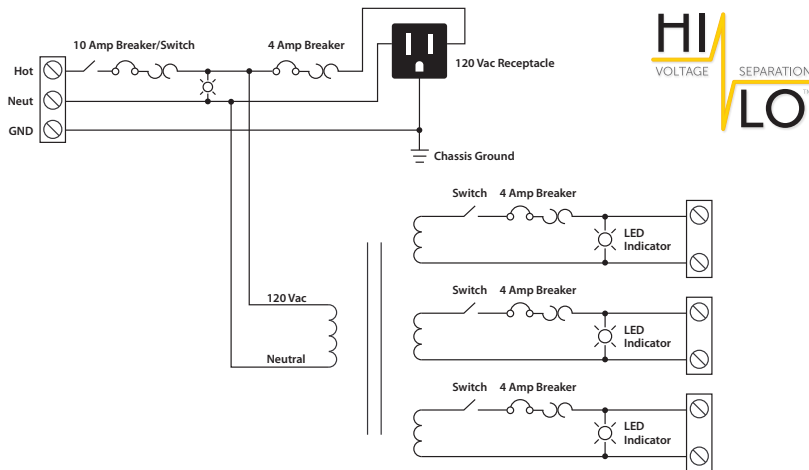
Output:
 5 Ungrounded, Isolated, 100 VA Class 2,
 24 Vac Outputs. Removable Terminals
 accept 16-22 AWG wire.
Ambient Temperature Derating:
 4A up to 40° C ; 3A up to 50° C ; 2A up to 55° C
 (When All 5 Outputs Operated Simultaneously)

Standby Wattage:
 48.515 W @ 120 Vac
Full Load Primary Current:
 4.66 A @ 120 Vac
Secondary Output Voltage vs. Load:
 24.0 V @ 1 Amp
 23.0 V @ 2 Amp
 21.8 V @ 3 Amp
 21.1 V @ 4 Amp
 • When all 5 outputs operated
 simultaneously, at room
 temperature
Notes:
 • 4A (Breaker protected) Convenience
 Receptacle Provided

AC POWER SUPPLY

PSH300AB10-LVC

Enclosed 300VA Power Supply, **High/Low Voltage Separation** with Three 100VA Class 2 Outputs, 120 Vac to 24 Vac with 120 Vac Receptacle



PSH300AB10-LVC
Shown With High Voltage
Cover & Low Voltage
Access Plate



SPECIFICATIONS

Transformer: One (1) 300 VA
Over Current Protection: Circuit Breaker

Primary: 120 Vac

Frequency: 50/60 Hz

Main Breaker ON/OFF: Switch / Breaker (10 Amp)
(Kills power to entire unit:
1 Outlet & Transformer)

Approvals: Class 2 (UL Approved UL5085-3),
UL916, C-UL, CE, RoHS

Dimensions: 12.125" x 12.125" x 6.000"

Housing: NEMA1 Metal Enclosure with
high/low separation

Weight: 22.12 lbs.

3 Secondaries:
24 Vac, with LED Indicators
4 Amp breaker for each output

24 Vac ON/OFF:
On / Off Switch & Breaker

Input:
120 Vac **Finger-Safe Terminals**, 8-18 AWG

Output:
3 Ungrounded, Isolated, 100 VA Class 2,
24 Vac Outputs. Removable Terminals
accept 16-22 AWG wire.

Ambient Temperature Derating:
4A up to 40° C ; 3A up to 50° C ; 2A up to 55° C
(When All 5 Outputs Operated Simultaneously)

Standby Wattage:
16.61 W @ 120 Vac

Full Load Primary Current:
2.66 A @ 120 Vac

Secondary Output Voltage vs. Load:
24.5 V @ 1 Amp
23.5 V @ 2 Amp
22.8 V @ 3 Amp
22.3 V @ 4 Amp

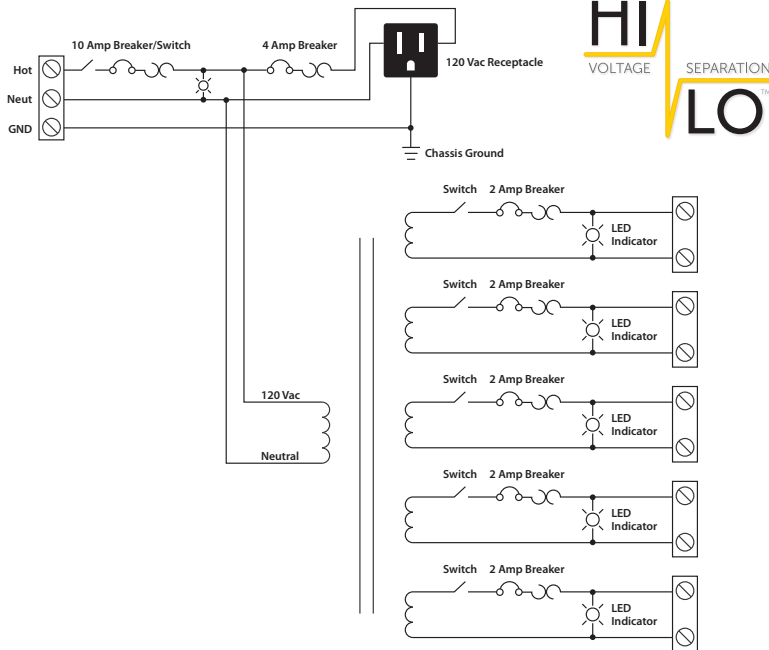
• When all 5 outputs operated
simultaneously, at room
temperature

Notes:

• 4A (Breaker protected) Convenience
Receptacle Provided

PSH200AB10-LVC

Enclosed 200VA Power Supply, **High/Low Voltage Separation** with Five 40VA Class 2 Outputs, 120 Vac to 24 Vac with 120 Vac Receptacle



PSH200AB10-LVC
Shown With High Voltage
Cover & Low Voltage
Access Plate

POWER
SUPPLIES

SPECIFICATIONS

Transformer: One (1) 200 VA
Over Current Protection: Circuit Breaker
Primary: 120 Vac
Frequency: 50/60 Hz
Main Breaker ON/OFF: Switch / Breaker (10 Amp)
 (Kills power to entire unit:
 1 Outlet & Transformer)
Approvals: Class 2 (UL Approved UL5085-3),
 UL916, C-UL, CE, RoHS
Dimensions: 12.125" x 12.125" x 6.000"
Housing: NEMA1 Metal Enclosure with
 high/low separation
Weight: 20.30 lbs.

5 Secondaries:
 24 Vac, with LED Indicators
 2 Amp breaker for each output
24 Vac ON/OFF:
 On / Off Switch & Breaker
Input:
 120 Vac **Finger-Safe Terminals**, 8-18 AWG

Output:
 5 Ungrounded, Isolated, 40 VA Class 2,
 24 Vac Outputs. Removable Terminals
 accept 16-22 AWG wire.
Ambient Temperature Derating:
 1.6A up to 40° C ; 1.2A up to 60° C
 (When All 5 Outputs Operated Simultaneously)

Standby Wattage:
 18.93 W @ 120 Vac
Full Load Primary Current:
 2.57 A @ 120 Vac
Secondary Output Voltage vs. Load:
 24.9 V @ 0.5 Amp
 24.0 V @ 1.0 Amp
 23.9 V @ 1.4 Amp
 23.7 V @ 1.6 Amp
 • When all 5 outputs operated
 simultaneously, at room
 temperature
Notes:
 • 4A (Breaker protected) Convenience
 Receptacle Provided

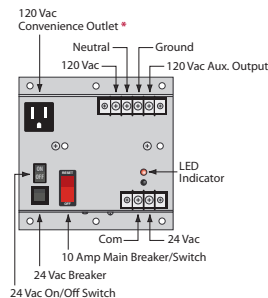
AC POWER SUPPLY: 120 VAC TO 24 VAC

PSB40AB10

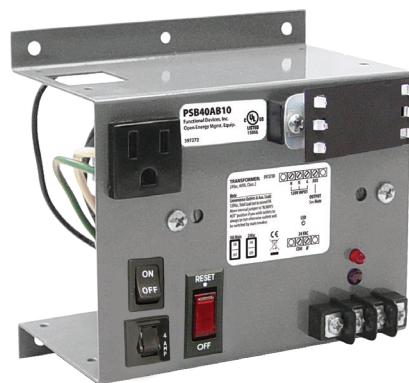
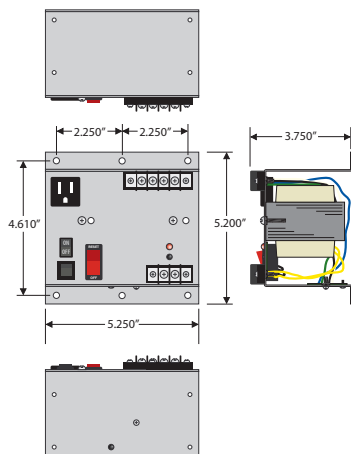
Panel Mount 40 VA Power Supply, 120 to 24 Vac

PSB100AB10

Panel Mount 100 VA Power Supply, 120 to 24 Vac



* Move internal jumper to "HOT" position if you wish outlets to always be hot otherwise outlets will be switched by main breaker.



Made in USA
Meets
"Buy American"
of ARRA 2009

REMOVABLE TERMINAL COVER PROVIDED

SPECIFICATIONS

Transformer: One 40 VA Split-Bobbin (PSB40AB10)
One 100 VA Split-Bobbin (PSB100AB10)

Primary: 120 Vac

Secondary: 24 Vac, w/ LED Indicator

Frequency: 50/60 Hz

Over Current Protection: Inherently Limited + Circuit Breaker (PSB40AB10)
Circuit Breaker (PSB100AB10)

24 Vac ON/OFF: On / Off Switch

Main Breaker ON/OFF: Switch / Breaker (10 Amp)
(Kills power to entire unit:
Outlets, Aux. Output, & Transformer)*
Total Combined Output 9A

Mounting: Panel mount

Temperature: 40° C

Approvals: Class 2 (UL Approved UL5085-3),
UL916, UL508 for -IC models,
C-UL, CE, RoHS

Dimensions: 5.200" x 5.250" x 3.750"

Weight: 2.18 lbs. (PSB40AB10)
3.58 lbs. (PSB100AB10)

Notes:

• To order UL508, add "-IC" to end of model number.

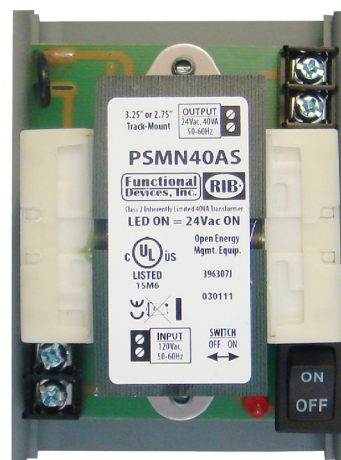
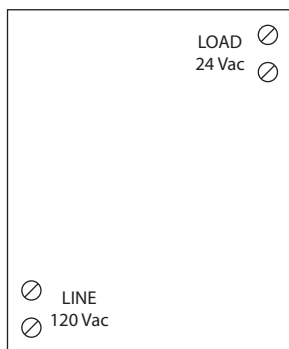
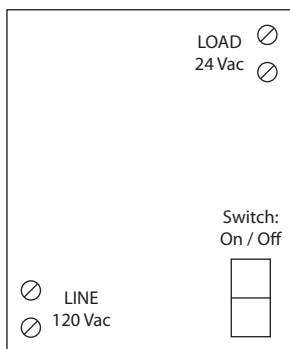
AC POWER SUPPLY: 120 VAC TO 24 VAC

PSMN40AS

2.75" Track Mount 40 VA Power Supply,
120 Vac to 24 Vac, with Switch

PSMN40A

2.75" Track Mount 40 VA Power Supply,
120 Vac to 24 Vac



Made in USA
Meets
"Buy American"
of ARRA 2009

SPECIFICATIONS

Transformers: One 40 VA

Primary: 120 Vac

Secondary: 24 Vac, isolated

Frequency: 50/60 Hz

Overload Protection: Inherently limited

Operating Temperature: -30 to 140° F

Humidity Range: 5 to 95% (noncondensing)

Power Status: LED On = Secondary Voltage Present

Dimensions: 2.500" x 2.750" x 4.000" (without track)

2.800" x 2.750" x 4.000" (in track)

Track Mount: MT212-4 Mounting Track Supplied

Weight: 1.60 lbs.

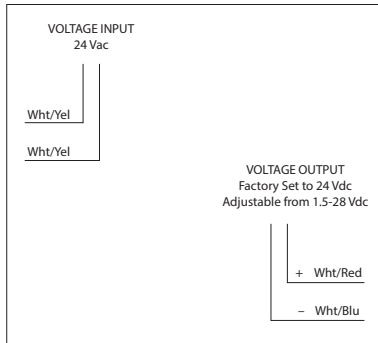
ON/OFF Switch: 2 Position (PSMN40AS)

Approvals: UL916, C-UL, CE, RoHS

DC POWER SUPPLY: 24 VAC TO 1.5 - 28 VDC

PSP24DA

Enclosed **Non-Isolated** Linear DC Power Supply,
24 Vac to 1.5-28 Vdc Adjustable Output



SPECIFICATIONS

Voltage Input: 24 Vac, full-wave rectified
Voltage Output: 1.5 - 28 Vdc **non-isolated**
Frequency: 50/60 Hz
Overload Protection: Electrical and Thermal, Auto-Reset
Operating Temperature: -30 to 140° F
Humidity Range: 5 to 95% (noncondensing)
Power Status: LED On = Activated
Dimensions: 2.30" x 3.20" x 1.80" with .50" NPT nipple
Wires: 16", 600V Rated
Weight: .30 lbs.
ON/OFF Switch: None
Approvals: Class 2 (UL Approved UL5085-3), UL916, C-UL, CE, RoHS
Housing Rating: UL Accepted for Use in Plenum, NEMA 1

Output Current Ratings:
 116 mA @ 10 Vdc
 125 mA @ 12 Vdc
 300 mA @ 24 Vdc

Percent Ripple:
 0.0016%, 24 Vdc @ 300 mA

Regulation:
 Load: 0.04% No Load to Full Load
 Line: 0.0125 V/V

Input Current Rating:
 550 mA Maximum

Notes:

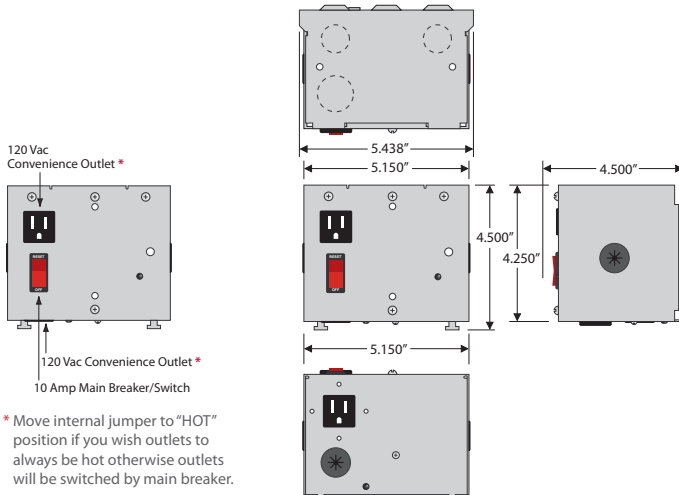
- Requires a separate ungrounded transformer when used in conjunction with 1/2 wave rectified power supplies, grounded 24 Vac transformers, or when 24 Vac and 24 Vdc are connected in common.

POWER SUPPLIES

DC POWER SUPPLY: 120 VAC TO 24 VDC

PSH24DWB10

Enclosed Single Switching DC Power Supply 120 to 24 Vdc @ 2.5 Amp



SPECIFICATIONS

Input Voltage: 120 Vac
Frequency: 50/60 Hz
DC Output: 24 Vdc @ 2.5 Amp
Over Current Protection: Circuit Breaker
Main Breaker ON/OFF: Switch / Breaker (10 Amp) (Kills power to entire unit)*
 Total Combined Output 9A
Operating Temperature: 32 to 122° F
Dimensions: 4.500" x 5.438" x 4.500"
Weight: 2.980 lbs.

Input Wires: Input Power Wires
 BLK: 120 Vac
 WHT: Neutral
 GRN: Ground

Output Wires: DC Supply Output
 WHT/RED: 24 Vdc
 WHT/BLU: 24 Vdc COM

Auxiliary Output
 BLU: 120 Vac

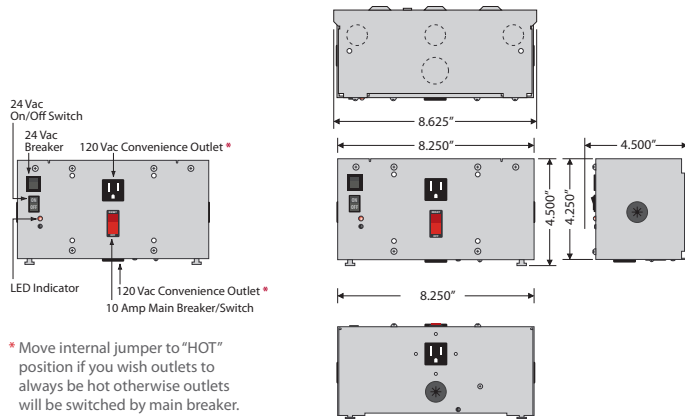
Notes:

- This device is not certified for use as a Class 2 power source.

AC & DC POWER SUPPLY: 120 VAC TO 24 VAC AND 24 VDC

PSH100A24DWB10

Enclosed Power Supply, 100 VA (120 to 24 Vac) and **Switching** 120 to 24Vdc @ 2.5 Amp



SPECIFICATIONS

Transformer: One 100 VA Split-Bobbin
Voltage Input: 120 Vac
Frequency: 50/60 Hz
Over Current Protection: Circuit Breaker
24 Vac ON/OFF: Switch / Breaker (10 Amp)
Main Breaker ON/OFF: (Kills power to entire unit: Outlets, Aux. Output, & Transformer, and 24 Vdc)*
Total Combined Output 9A
Dimensions: 4.500" x 8.625" x 4.500"
Weight: 5.600 lbs.

Input Wires: Input Power Wires
 BLK: 120 Vac
 WHT: Neutral
 GRN: Ground

Output Wires: DC Supply Output
 WHT/RED: 24 Vdc
 WHT/BLU: 24 Vdc COM

Auxiliary Output
 BLU: 120 Vac

Transformer Output
 WHT/YEL: 24 Vac
 WHT/BLU: 24 Vac COM

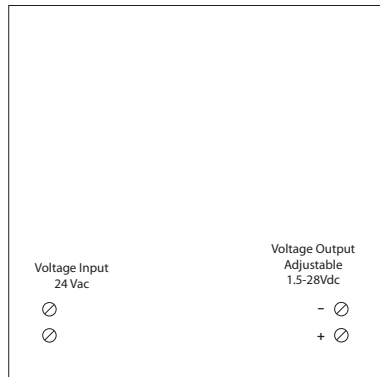
Notes:
 • This device is not certified for use as a Class 2 power source.

POWER SUPPLIES

DC POWER SUPPLY: 24 VAC TO 1.5 - 28 VDC

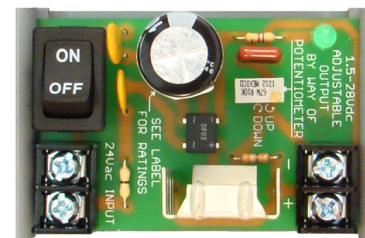
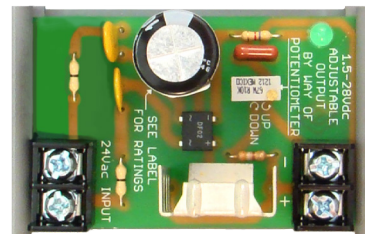
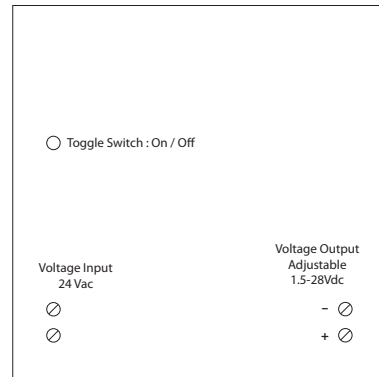
PSMN24DA

2.75" Track Mount **Non-Isolated** Linear DC Power Supply, 24Vac to 1.5-28 Vdc, 300 mA Adjustable Output



PSMN24DAS

2.75" Track Mount **Non-Isolated** Linear DC Power Supply, 24Vac to 1.5-28 Vdc, 300 mA Adjustable Output, **with Switch**



SPECIFICATIONS

Voltage Input: 24 Vac, full-wave rectified
Voltage Output: 1.5 - 28 Vdc **non-isolated**
Frequency: 50/60 Hz
Overload Protection: Electrical and Thermal, Auto-Reset
Operating Temperature: -30 to 140° F
Humidity Range: 5 to 95% (noncondensing)
Power Status: LED On = Activated
Dimensions: 1.500" x 2.750" x 1.750"
Track Mount: 2.750"
 MT212-2 Mounting Track Supplied
Weight: 0.20 lbs.
ON/OFF Switch: None (PSMN24DA)
 2 Position Toggle (PSMN24DAS)
Approvals: Class 2 (UL Approved UL5085-3), UL916, C-UL, CE, RoHS

Output Current Ratings:
 116 mA @ 10 Vdc
 125 mA @ 12 Vdc
 300 mA @ 24 Vdc

Input Current Rating:
 550 mA Maximum

Percent Ripple:
 0.0016%, 24 Vdc @ 300 mA

Regulation:
 Load: 0.04% No Load to Full Load
 Line: 0.0125 V/V

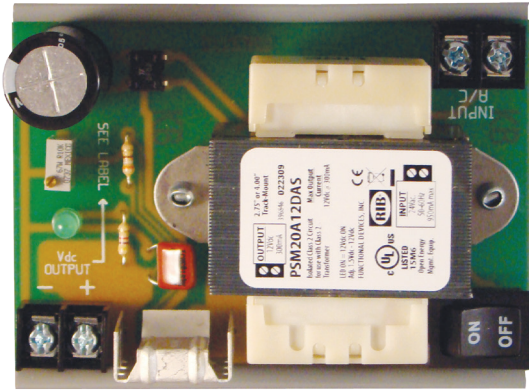
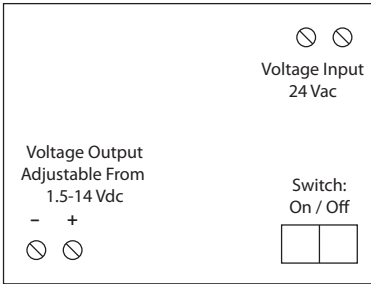
Notes:
 • Requires a separate ungrounded transformer when used in conjunction with 1/2 wave rectified power supplies, grounded 24 Vac transformers, or when 24 Vac and 24 Vdc are connected in common.

• See also supplementary model PSMN40AS

DC POWER SUPPLY: 24 VAC TO 1.5 - 14 VDC

PSM20A12DAS

4.00" & 2.75" Track Mount Isolated Linear DC Power Supply, 24 Vac to 1.5-14Vdc, 300 mA Adjustable Output



SPECIFICATIONS

Voltage Input: 24 Vac
Voltage Output: 1.5 - 14 Vdc Isolated
Frequency: 50/60 Hz
Overload Protection: Electrical and Thermal, Auto-Reset
Operating Temperature: -30 to 140° F
Humidity Range: 5 to 95% (noncondensing)
Power Status: LED On = Activated
Dimensions: 1.625" x 2.750" x 4.000"
Track Mount: 4.000" and 2.750"
 MT212-4 Mounting Track Supplied
Weight: 1.10 lbs.
ON/OFF Switch: 2 Position
Approvals: UL916, C-UL, CE, RoHS

Output Current Ratings:
 300 mA @ 12 Vdc

Input Current Rating:
 950 mA Maximum

Percent Ripple:
 0.0016%, 12 Vdc @ 300 mA

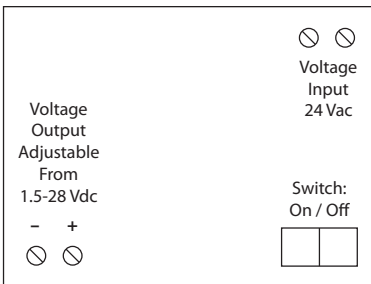
Regulation:
 Load: 0.04% No Load to Full Load
 Line: 0.0080 mV/V

POWER SUPPLIES

DC POWER SUPPLY: 120 VAC OR 24 VAC TO 1.5 - 28 VDC

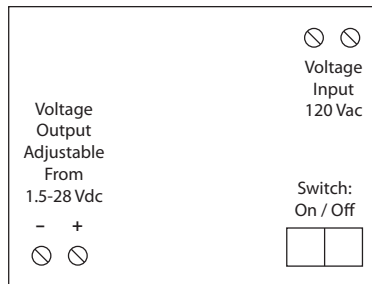
PSM24A24DAS

4.00" & 2.75" Track Mount Isolated Linear DC Power Supply, 24 Vac to 1.5-28 Vdc, 300 mA Adjustable Output



PSM19A24DAS

4.00" & 2.75" Track Mount Isolated Linear DC Power Supply, 120 Vac to 1.5-28 Vdc, 300 mA Adjustable Output



SPECIFICATIONS

Voltage Input: 24 Vac (PSM24A24DAS)
 120 Vac (PSM19A24DAS)
Voltage Output: 1.5 - 28 Vdc Isolated
Frequency: 50/60 Hz
Overload Protection: Electrical and Thermal, Auto-Reset
Operating Temperature: -30 to 140° F
Humidity Range: 5 to 95% (noncondensing)
Power Status: LED On = Activated
Dimensions: 1.625" x 2.750" x 4.000"
Track Mount: 4.000" and 2.750"
 MT212-4 Mounting Track Supplied
Weight: 1.10 lbs.
ON/OFF Switch: 2 Position
Approvals: UL916, C-UL, CE, RoHS

Output Current Ratings:
 116 mA @ 10 Vdc
 125 mA @ 12 Vdc
 300 mA @ 24 Vdc

Input Current Rating:
 950 mA Maximum (PSM24A24DAS)
 150 mA Maximum (PSM19A24DAS)

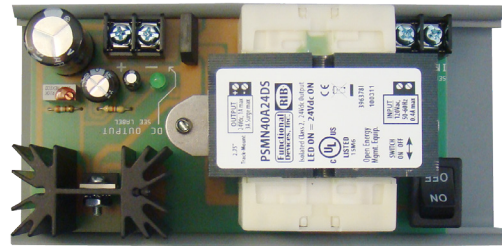
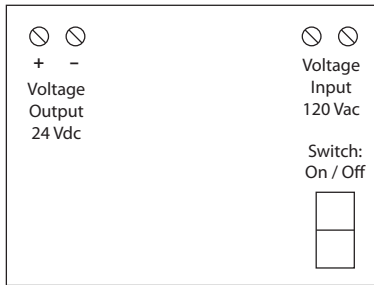
Percent Ripple:
 0.0016%, 24 Vdc @ 300 mA

Regulation:
 Load: 0.04% No Load to Full Load
 Line: 0.0080 mV/V (PSM24A24DAS)
 Line: 0.6250 mV/V (PSM19A24DAS)

DC POWER SUPPLY: 120 VAC TO 24 VDC

PSMN40A24DS

2.75" Track Mount Isolated Linear DC Power Supply, 120 Vac to 24 Vdc, 1 Amp



SPECIFICATIONS

Voltage Input: 120 Vac
Voltage Output: 24 Vdc Isolated
Frequency: 50/60 Hz
Overload Protection: Electrical and Thermal, Auto-Reset
Operating Temperature: -30 to 140° F
Humidity Range: 5 to 95% (noncondensing)
Power Status: LED On = Activated
Dimensions: 2.500" x 2.750" x 5.000" (without track)
2.800" x 2.750" x 5.000" (in track)
Track Mount: 2.750"
MT212-6 Mounting Track Supplied
Weight: 1.50 lbs.
ON/OFF Switch: 2 Position
Approvals: UL916, C-UL, CE, RoHS

Output Current Ratings:
1 A @ 24 Vdc

Input Current Rating:
400 mA Maximum

Percent Ripple:
0.0016%, 24 Vdc @ 1 A

Regulation:
Load: 0.50% No Load to Full Load
Line: 25.0000 mV/V